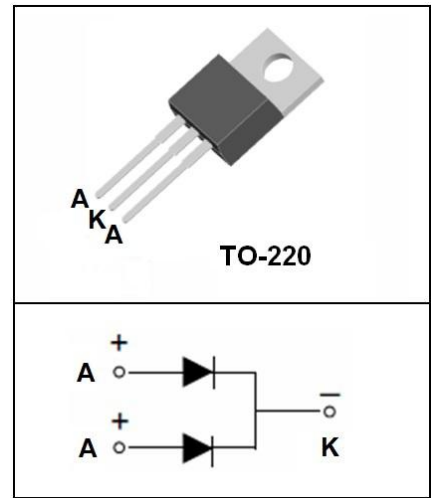


:



( 2 ° )

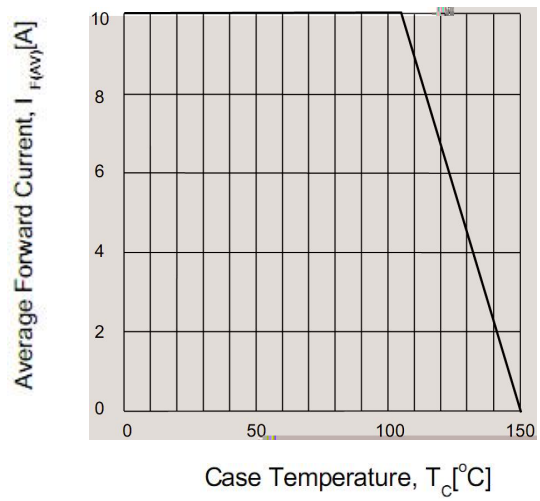
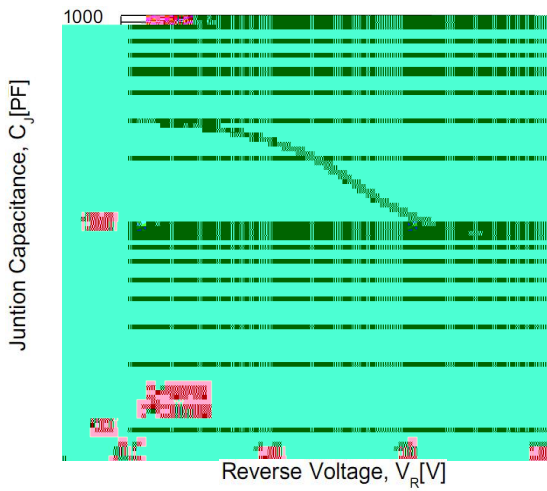
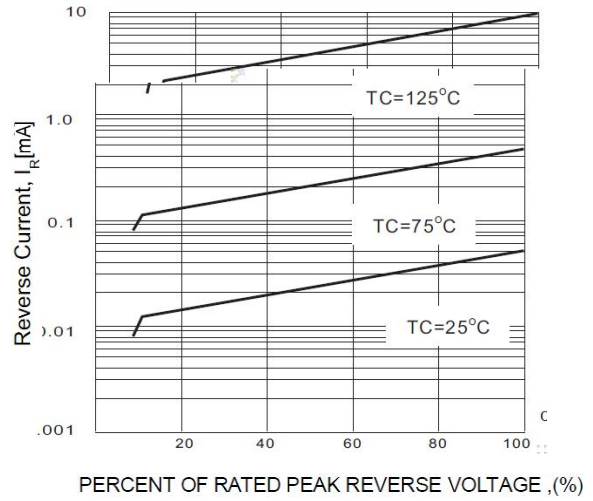
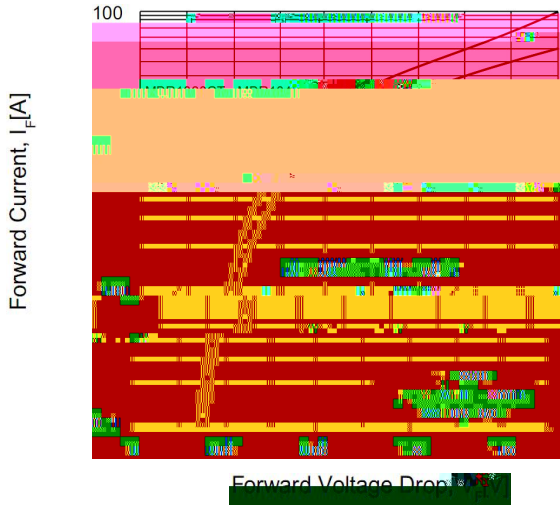
( )		120°C	10 ( )
		.3	12
			1 0 °
			- +1 0 °

( 2 ° )

			2. ° /
			10 ° /

( 2 ° )

		100		
		2 °		0.1
		12 °		0
		2 °		0.3
		12 °		0.
	10	2 °		0.3
	10	12 °		0.



	.00	. 0		. 0		10. 0
	1.1	1.			2.	
1	0. 0	1. 0		1.10		1. 0
1	0.	0.		12. 0		1 . 0
	0.30	0. 0	1	2. 0	3. 0	3. 0
	1 . 0	1 . 0		2. 0		3.10
1	. 0	. 0	1	2.00		3.00
				3. 0		.00

