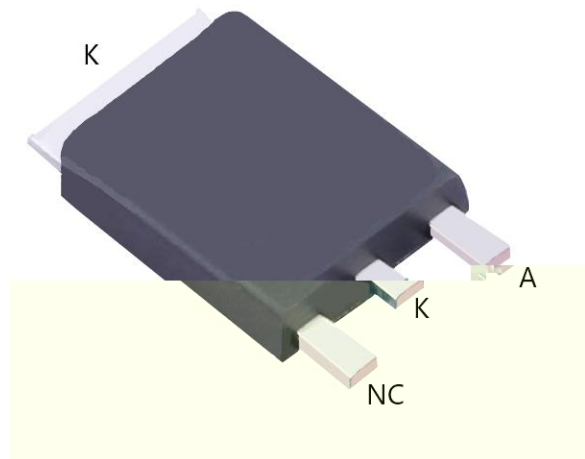


-
-
-

-
-
-
-
-
-
-
-
-
-





			±		
			±		

&						
NMOS						

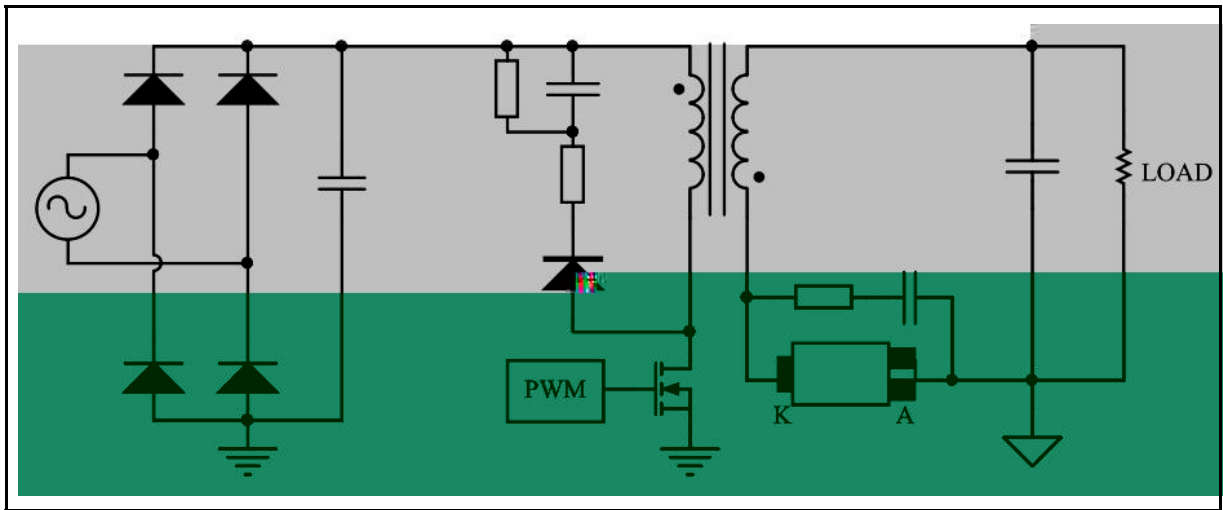
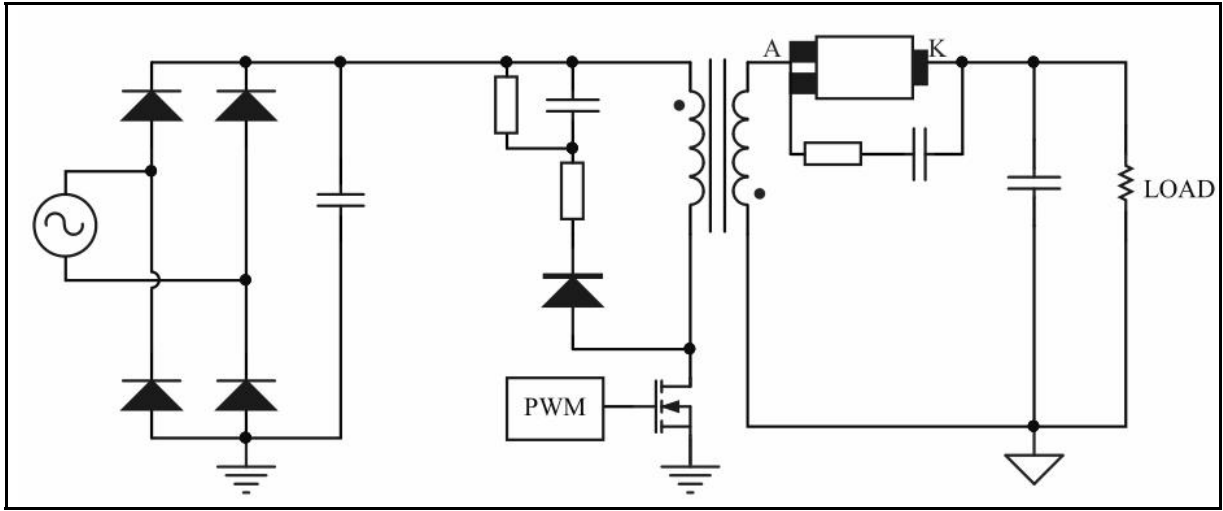
NMOS

RC

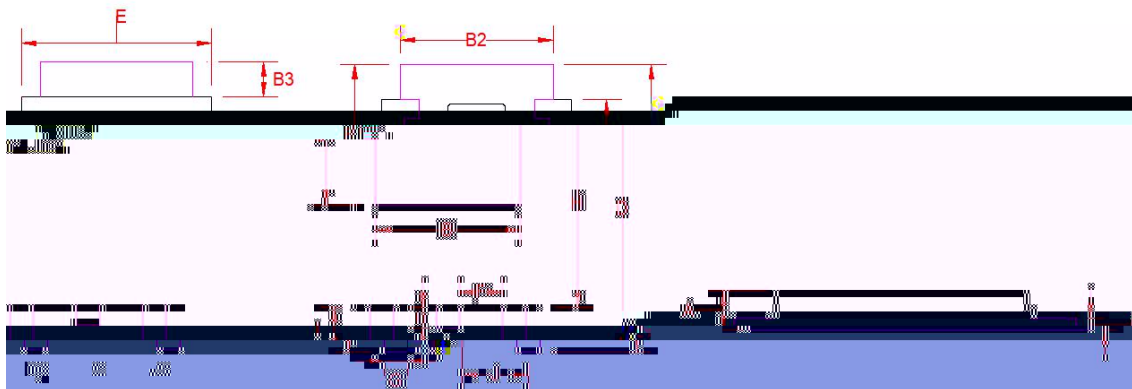
NMOS

●


●



TO-252



Symbol	mm		
	min	nom	max

 <p>WARNING! ESD SENSITIVE DEVICE</p>	<p>ESD</p>
---	------------

-
-
-
-
-
-
-
-