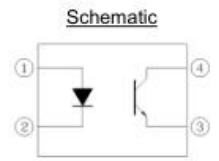
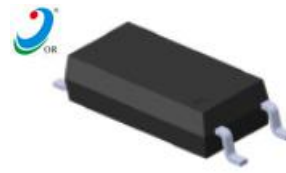




-10

1.



Pin Configuration

- 1. Anode
- 2. Cathode
- 3. Emitter
- 4. Collector

2.

-10

4-

3.

(2

| | | | | |
|----|--|--|-----------|--|
| | | | | |
| | | | 60 | |
| | | | 125 | |
| | | | 6 | |
| | | | 100 | |
| | | | 0 | |
| | | | 7 | |
| | | | 50 | |
| | | | 150 | |
| | | | 250 | |
| *1 | | | 5000 | |
| | | | -55 + 110 | |
| | | | -55 + 125 | |
| *2 | | | 260 | |

*1 1 , . . . 40 60% . . . , 1,2 , 3,4 .

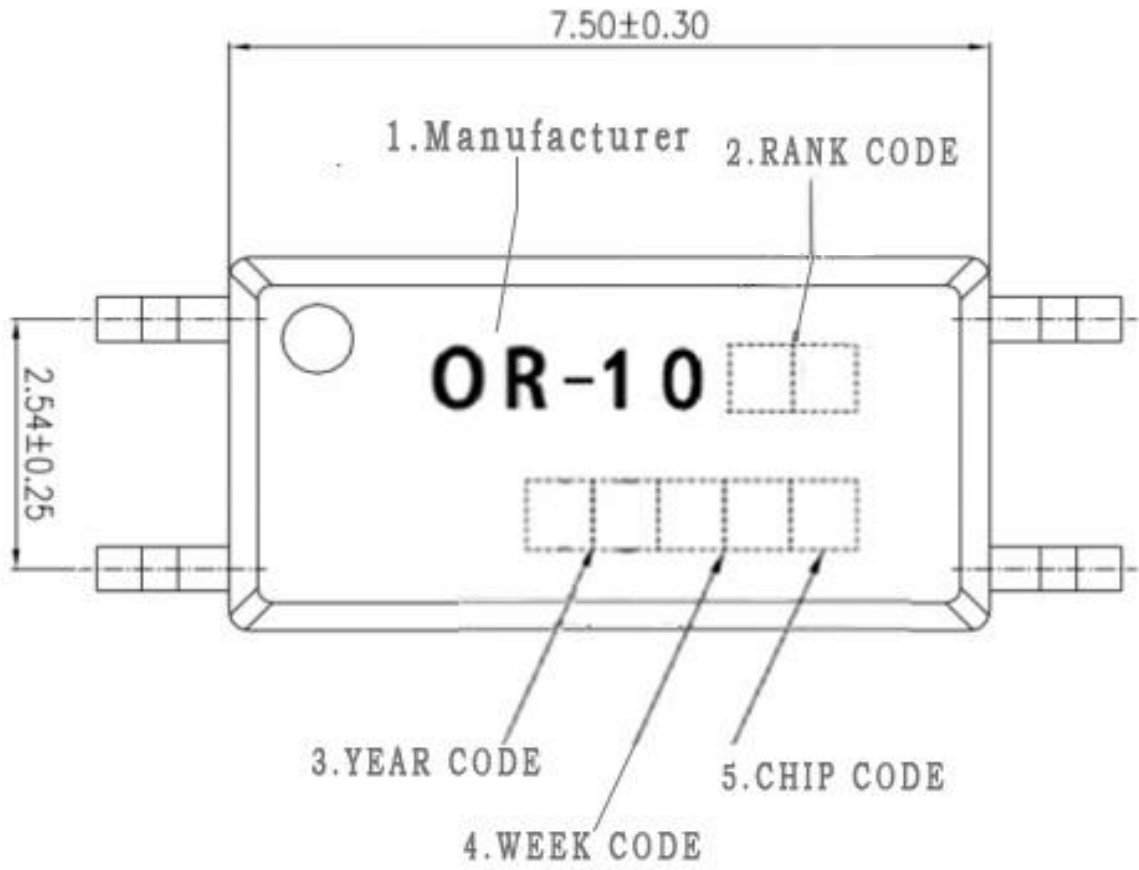
*2 10

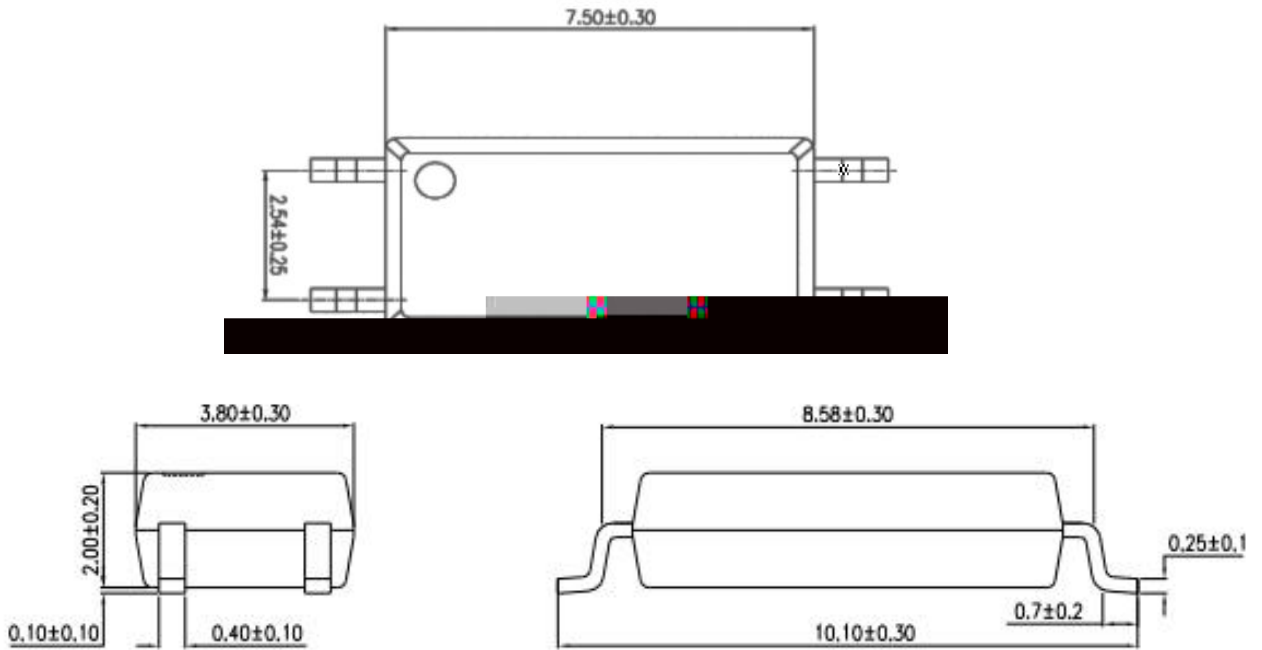


2

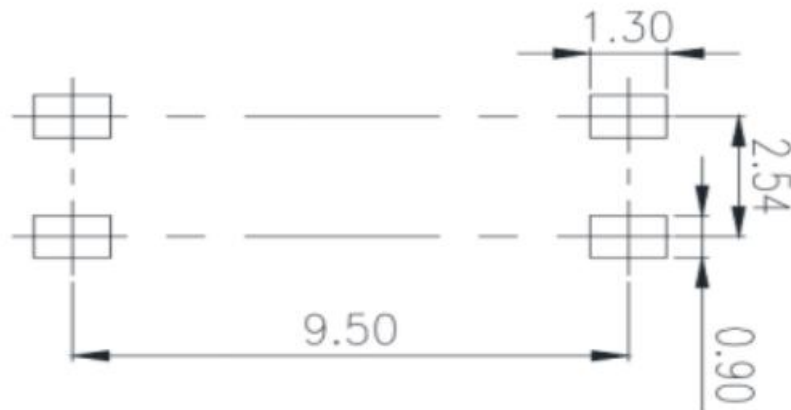
| | | | | | | | |
|--|--|-----|---------------------|------------------|------|-----|---|
| | | | | | | | |
| | | | 50 | --- | 1.25 | 1.6 | |
| | | | 4 | --- | --- | 10 | |
| | | | 0, 1 | --- | 50 | --- | |
| | | | 20 , 0 | --- | 10 | 100 | |
| | | | 1 0 | 0 | --- | --- | |
| | | | 0.1 0 | 7 | --- | --- | |
| | | | 5 | 50 | --- | 600 | % |
| | | | 5 | 2.5 | --- | 30 | |
| | | () | 10 1 | --- | --- | 0.3 | |
| | | | 500 40 60% . . . | 10 ¹² | --- | --- | |
| | | | 0, 1 | --- | 0.3 | --- | |
| | | | 5 , 2 | --- | 3 | 1 | |
| | | | 100 | --- | 4.7 | 1 | |



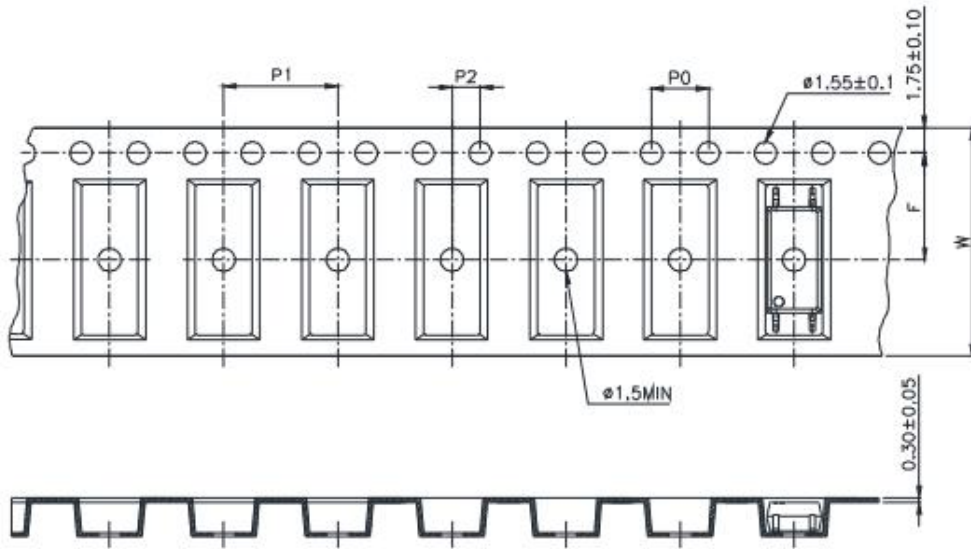




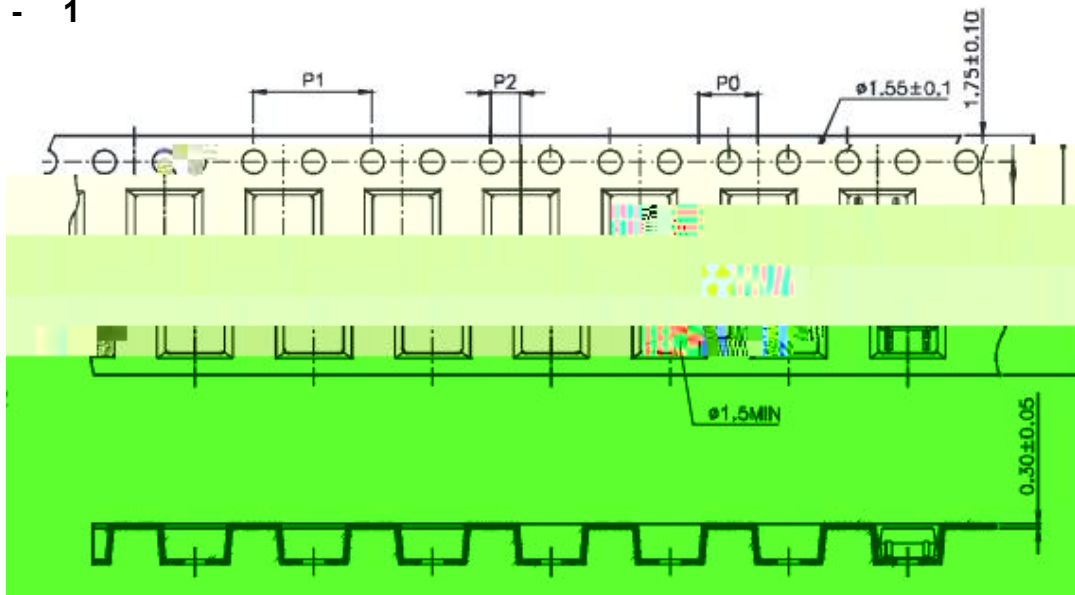
()



(1) -10 -



(2) -10 - 1



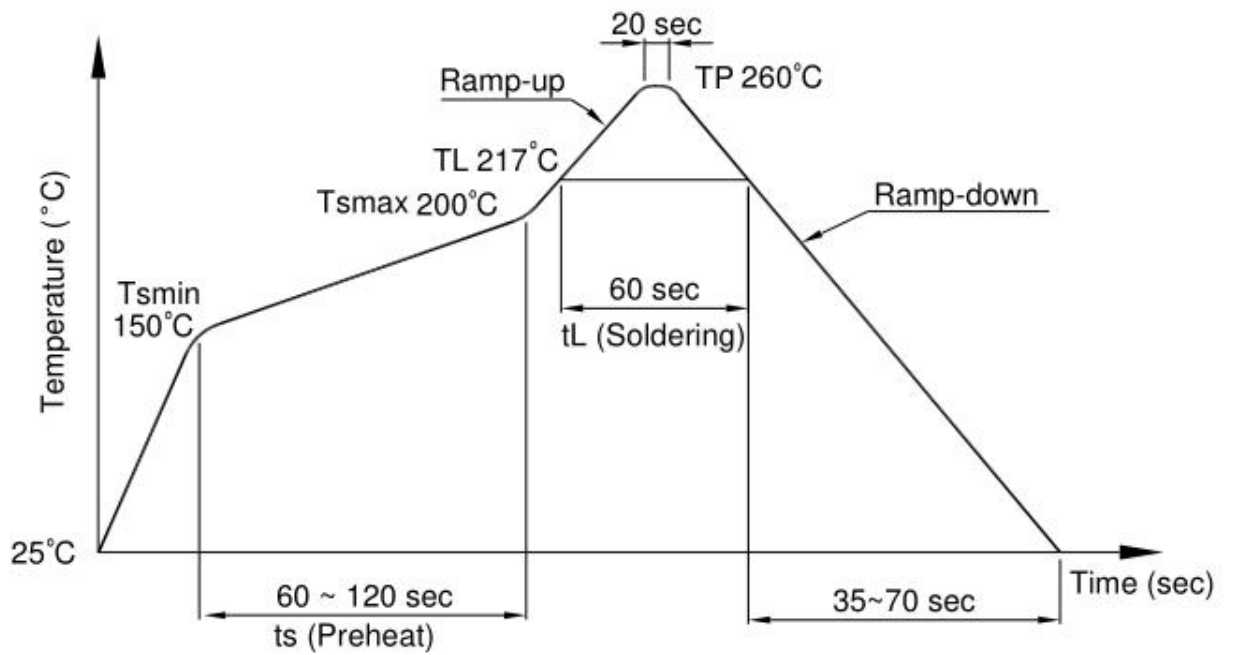
| | | |
|--|--|--|
| | | |
| | | |
| | | |
| | | |
| | | |

| | |
|--|--|
| | |
| | |

11.

(1). (-020)

| | |
|--|--|
| | |
| | |
| | |
| | |
| | |
| | |



12.

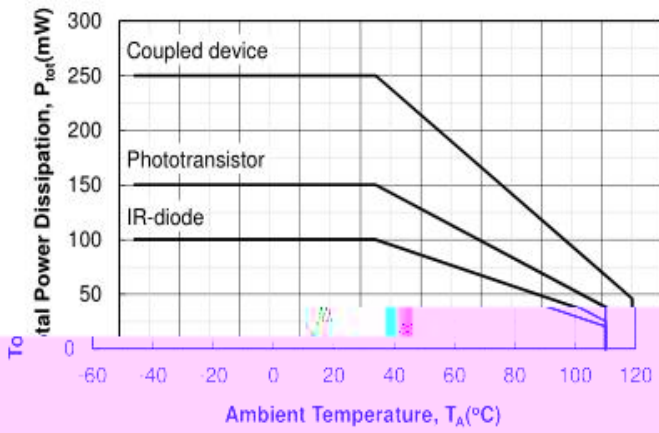


Figure 1. P_{tot} vs. T_A

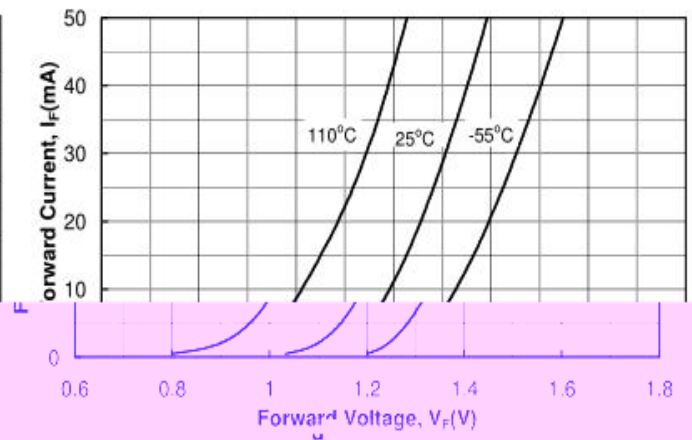


Figure 4. I_F vs. V_F

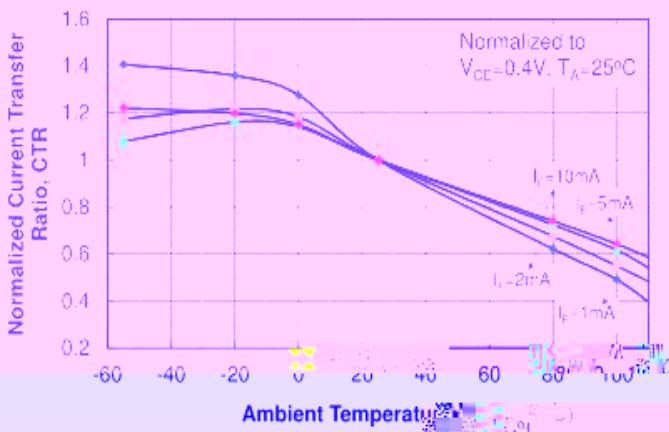


Figure 2. Saturated Normalized CTR vs. T_A

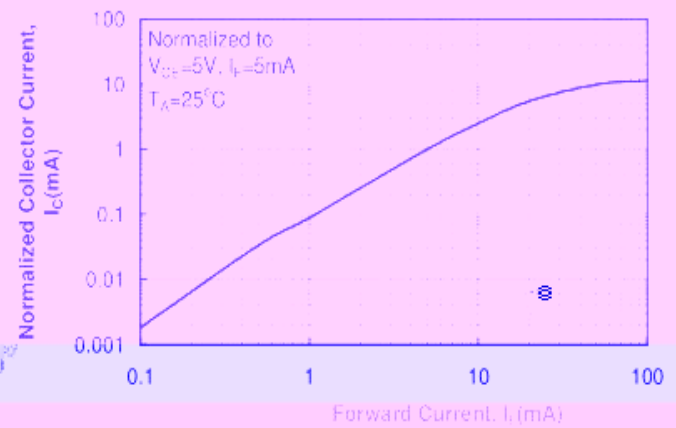


Figure 5. Normalized I_C vs. I_F

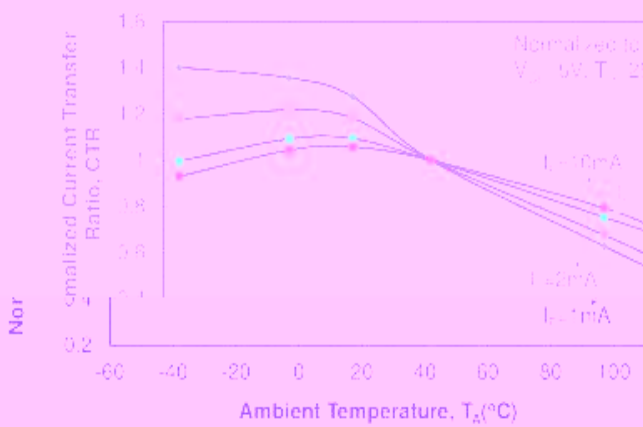


Figure 3. Non-saturated Normalized CTR vs. T_A

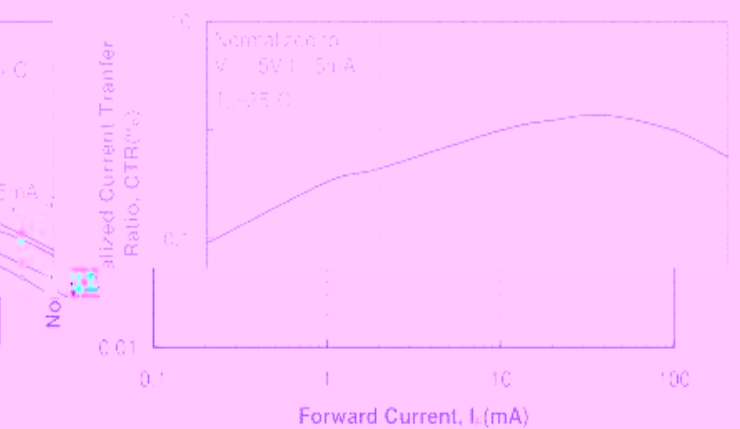


Figure 6. Normalized CTR vs. I_F

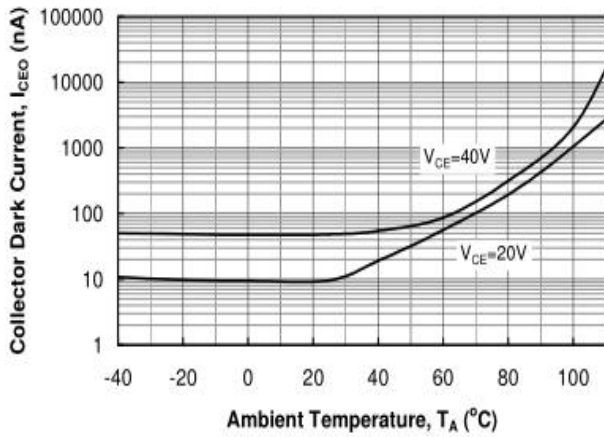


Figure 7. I_{CEO} vs. T_A

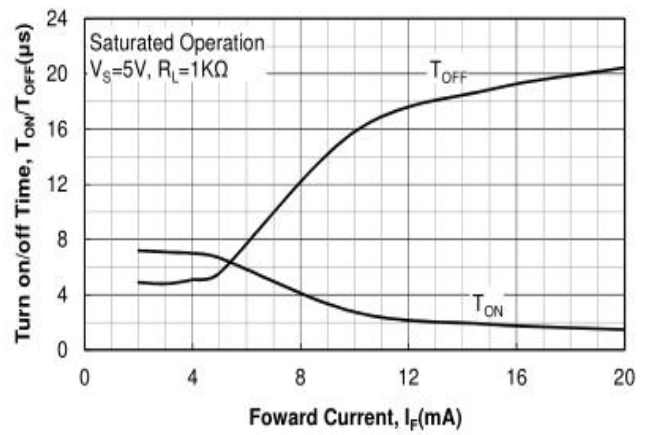


Figure 10. T_{ON} / T_{OFF} vs. I_F

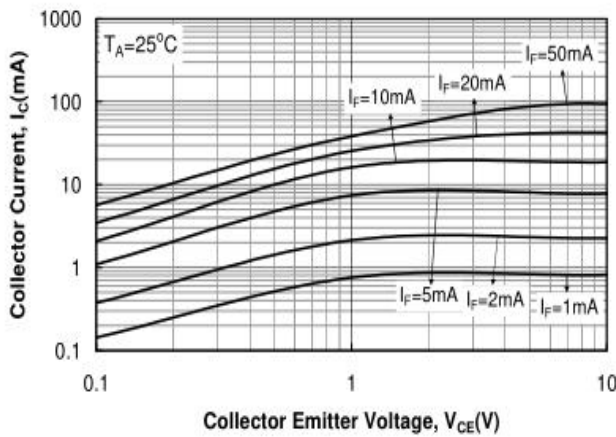


Figure 8. I_C vs. V_{CE}

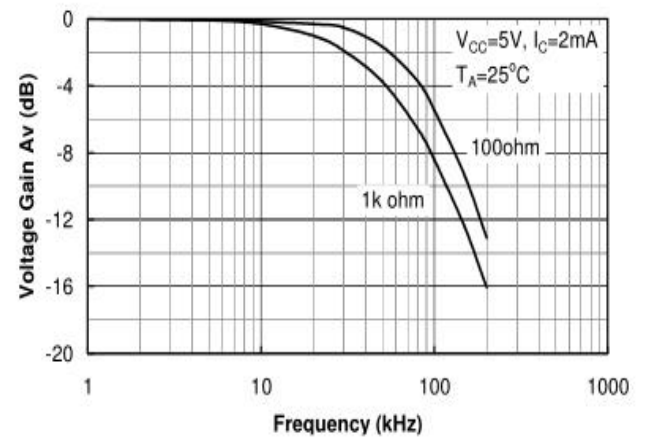


Figure 11. Frequency Response

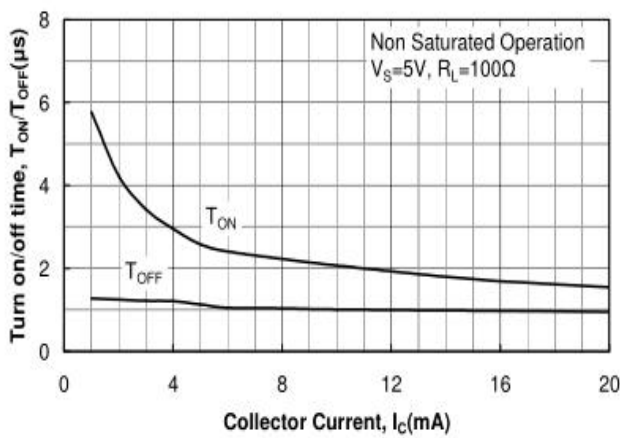


Figure 9. T_{ON} / T_{OFF} vs. I_C

