

DK5V60R25H

A K

PN

60V

NMOS

- USB
-
- LED

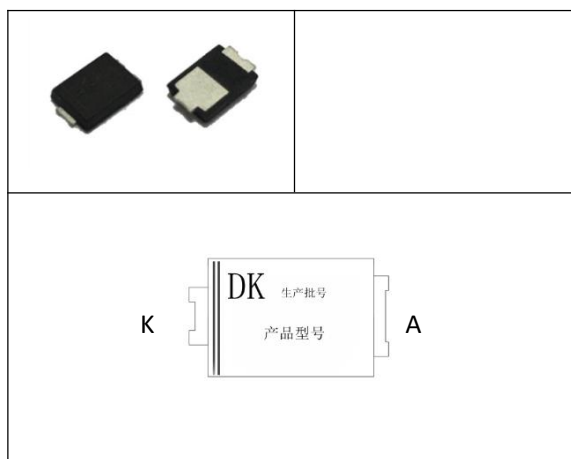
DK5V60R25H

SM-7

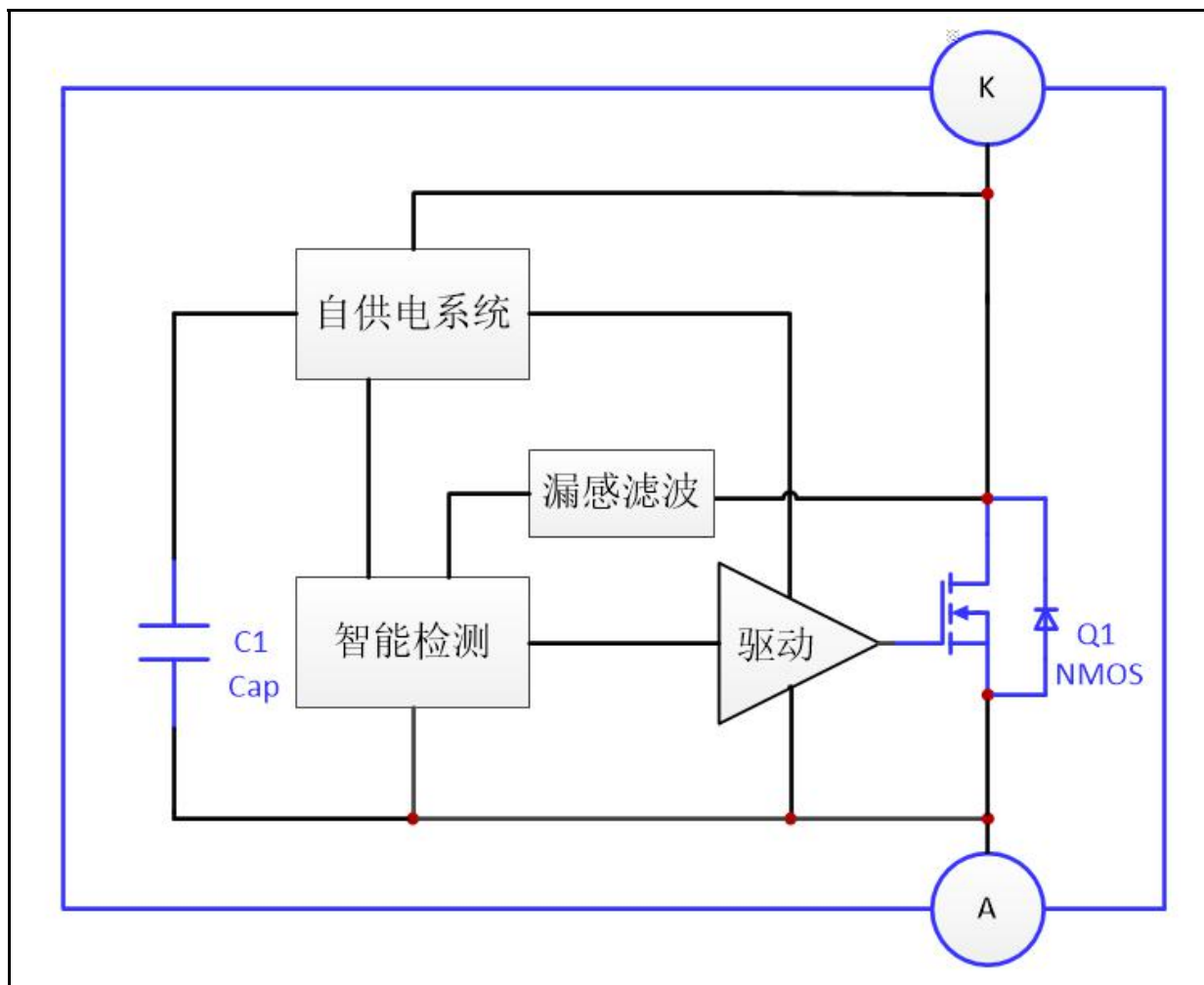
(TO-277

)

- PSR SSR
- V_F
-
- 60V 25mΩ NMOS
- CCM DCM&QR
-
-
- EMC
-



1	K	
2	A	

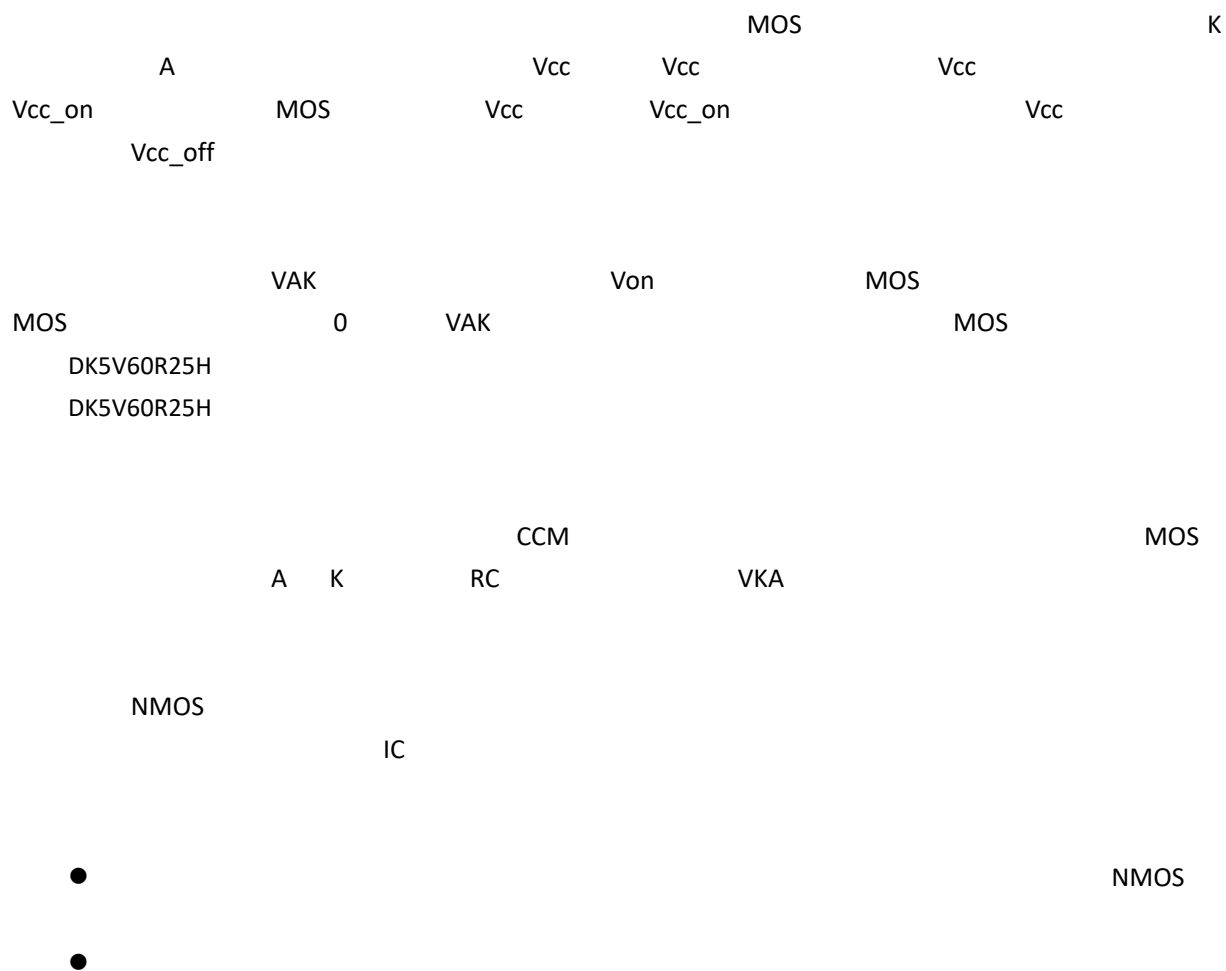


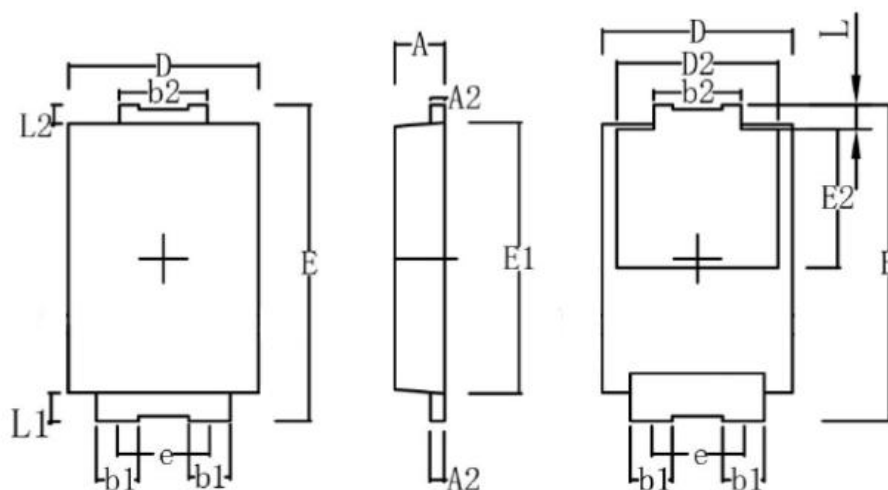
NMOS	$V_{(BR)DSS}$	60			V
NMOS	I_{DSCDC}			35	A
NMOS	I_{DSPDC}			50	A
SM7	P_{DMAX}		1		W
	$R\theta_{JA}$		76		/W
	$R\theta_{JC}$		4		/W
	T_{STG}	-55		155	
	T_J	-40		150	
			260/5S		
ESD(HBM)		4000			
ESD(MM)		350			

 $T_A = 25$

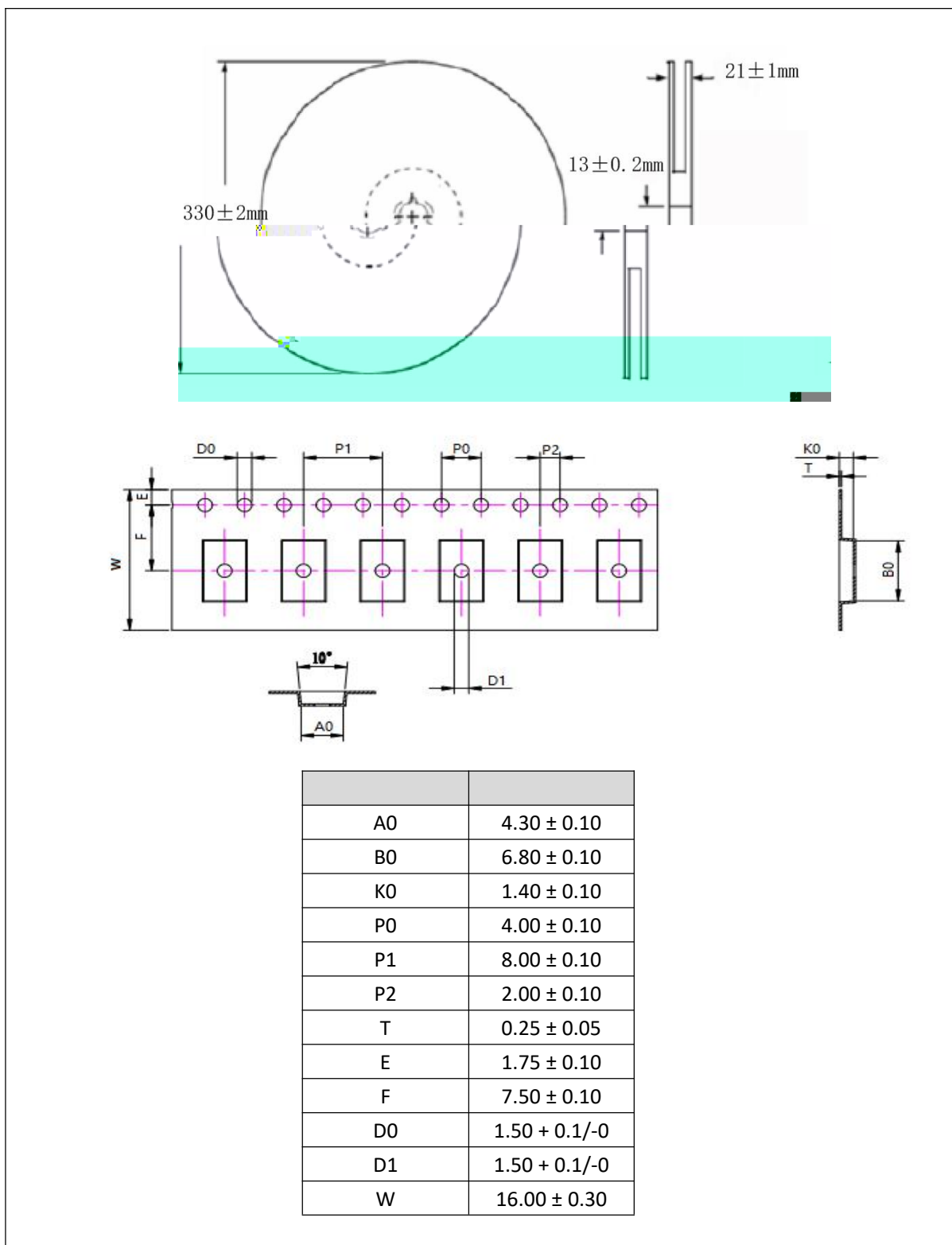
	V_{CC_ON}			5		V
	V_{CC_OFF}			3.5		V
	V_{OVP}			7.6		V
NMOS	V_{ON}			-220		mV
NMOS	T_{DON}				150	ns
NMOS	T_{DOFF}				50	ns
NMOS	T_{ON_MIN}			200		ns
NMOS	T_{OFF_MIN}			500		ns
	F_{S_MAX}				250	KHz
NMOS	R_{DS_ON}				25	m Ω

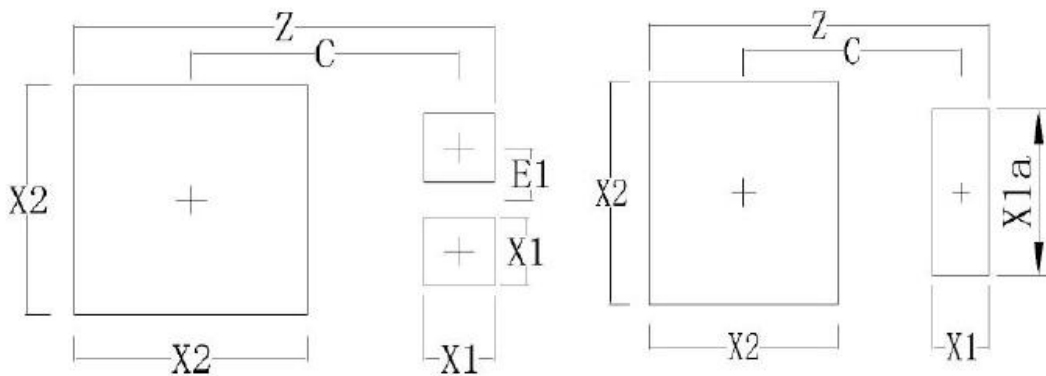
DK5V60R25H





A	1.20	1.40
A2	0.25	0.35
b1	0.80	1.00
b2	1.80	2.00
D	4.00	4.30
D2	3.20	NOM
E	6.40	6.60
e	1.80	NOM
E1	5.50	5.80
E2	2.50	NOM
L	0.80	1.00
L1	0.30	0.50
L2	0.30	0.50





C	4.6
E1	0.9
X1	1.2
X2	4.0
Z	7.2
X1a	3.0

