

# TD356 Series

## SOP4, DC Input Photo Transistor Coupler

### Description

#

!

"

\$

%

"

### Features

- &
- , \* - %
- ,
- . / ,
- \* 1 , &
- &
- + 2 0
- \* %
- 32 . 320 ''
- ) 1 . 14 ( ' ' . . 5 ) 1 (66 . 7
- , 8 , 9 : ; "0\$ : 66;6

### Applications

- 
- 
- &
- <

**SCHEMATIC**

**PIN DEFINITION**

1. Anode
2. Cathode
3. Emitter
4. Collector

**PAC A!E O" T#INE**

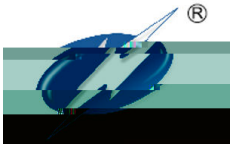


# TD356 Series

## SOP4, DC Input Photo Transistor Coupler

A 'SO#"TE MA(IM"M )ATIN!S				
* +1 1*	=+: 2	) 231	34>	4 1
>4 3				
?	>?	(		
!?	>?	0		0
* % )	)*		)	
>	>	0((	#	
3 3				
, .1 )	),1	6(	)	
1 ., )	)1,	'	)	
,	>,	(		
		0 (	#	
, ++ 4				
		@((	#	
> )	)	(((	)	@
		. A00(	/,	
		. A0@	/,	
		@ (	/,	

! "#\$ %  
&' ( ) ! " \* + , - .



# TD356 Series

## SOP4, DC Input Photo Transistor Coupler

E#ECT ) ICA# OPTICA# CHA ) ACTE ) ISTICS at Ta*2+,C							
* +1 1*	=+ : 2	+>4	= " + B" 34>	1 , 4 > > 4	4 1		
>4 3							
? )	)?	.	0"@ 0"	) )	>?C0(		
* % ,	>*	.	. 0( D	) *C )			
> ,	,	.	0( . ?	)C(\$ CO!&E			
3 3							
, ! ,	>,1	.	. 0((	) , 1C@()\$>?C(			
, .1 : ! )	: ) ,1	6( . . )	>,C("0 \$>?C(				
1 ' , : ! )	: ) 1,	' . . )	>1C("0 \$>?C(				
* 4 ?1* , & * , 1*> > ,							
,	:	,	,	*	F	>?C \$ ) , 1C )	
			( . ((				
			6( . 0 (				
	:		0 ( . @ (				
			@(( . ((				
			(( . ((				
	0		. 0@				
	:0		0(( . @((				
	,0		0 ( . @ (				
	0		@ ( . ((				
, .1 )	) , 15 7	.	(" ( "@ )	) )	>?C@ ( \$ > , CO		
> *	* >	0(GO@ 0(GO	. H	) , (() \$ ( A ( F * "&"			
? ,	, >	.	(" 0 ?	)C(\$ CO+&E			
, . ? <		.	6( . !&E	) , 1C@) \$ > , C@ *2CO( (H\$. :			
* 5* 7		.	06 D	) , 1C@) \$ > , C@			
* 5? 7		.	06 D	*2CO( (H			

( / 0  
+ ( / +

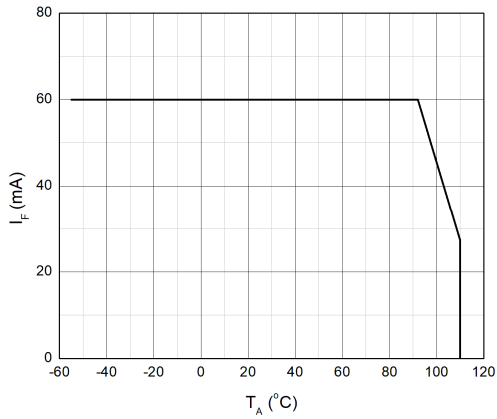


# TD356 Series

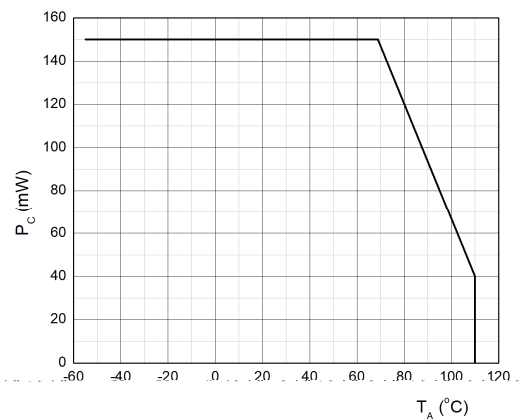
## SOP4, DC Input Photo Transistor Coupler

### CHARACTERISTICS - ES

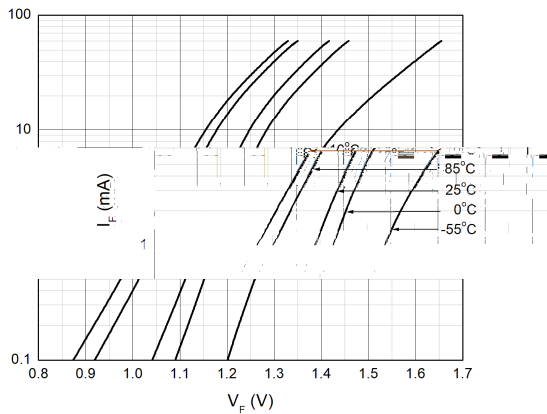
**Fig. 1 Forward Current vs. Ambient Temperature**



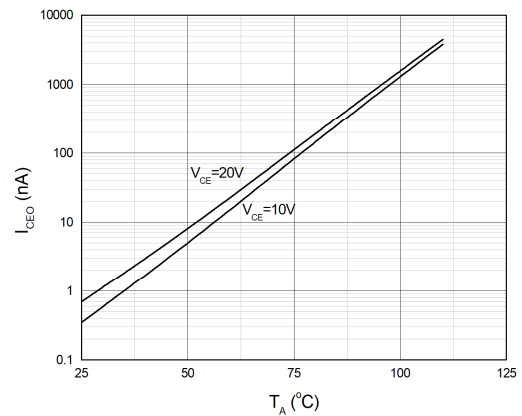
**Fig. 2 Collector Power Dissipation vs. Ambient Temperature**



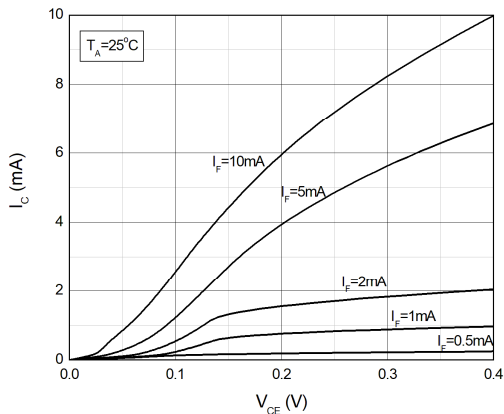
**Fig. 3 Forward Current vs. Forward Voltage**



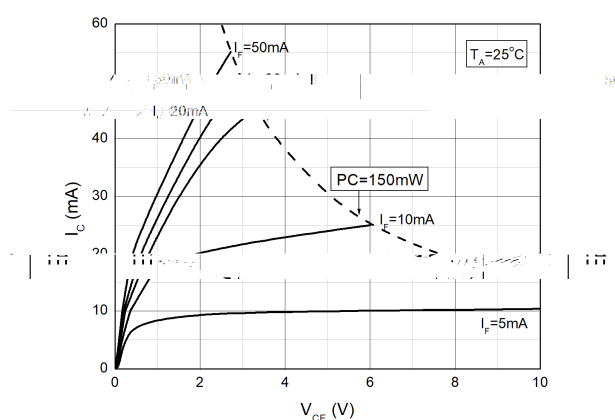
**Fig. 4 Collector Dark Current vs. Ambient Temperature**

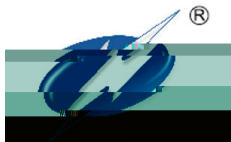


**Fig. 5 Collector Current vs. Collector-Emitter Voltage**



**Fig. 6 Collector Current vs. Collector-Emitter Voltage**



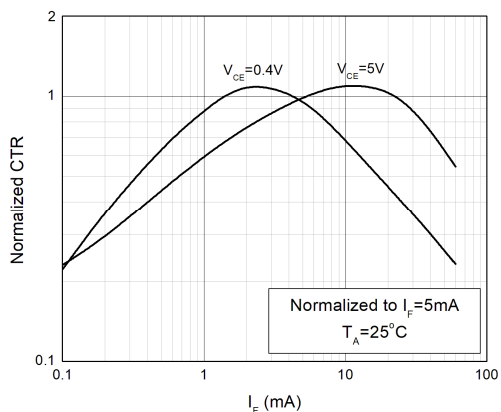


# TD356 Series

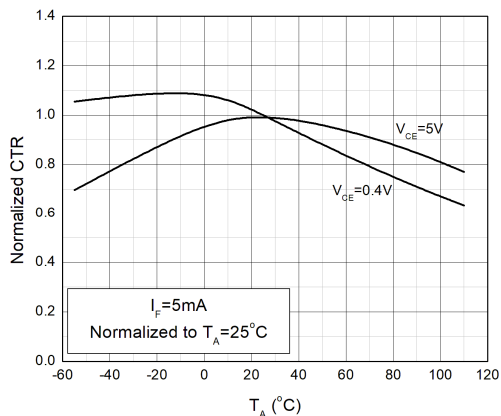
## SOP4, DC Input Photo Transistor Coupler

### CHARACTERISTICS - ES

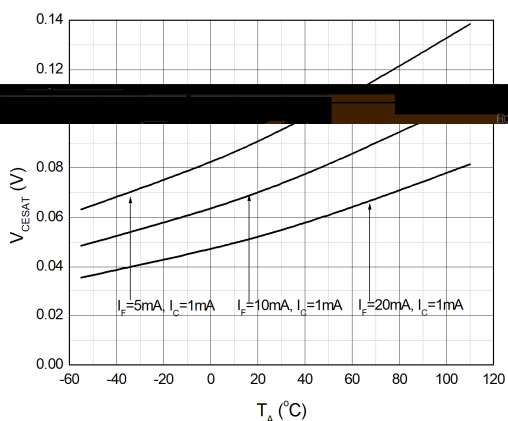
**Fig. 5 Normalized Current Transfer Ratio vs. Forward Current**



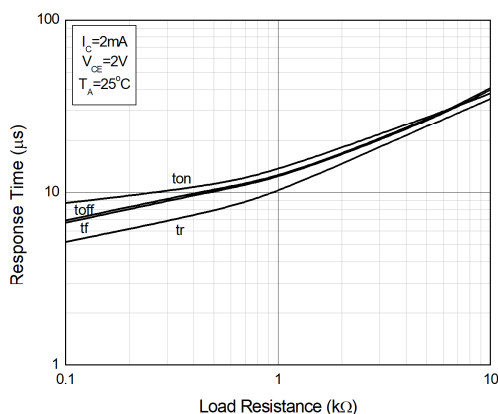
**Fig. 8 Normalized Current Transfer Ratio vs. Ambient Temperature**



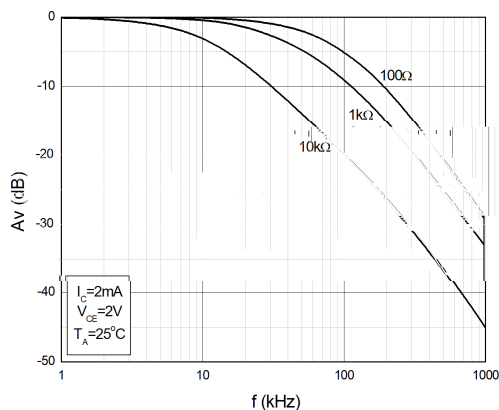
**Fig. 9 Collector-Emitter Saturation Voltage vs. Ambient Temperature**

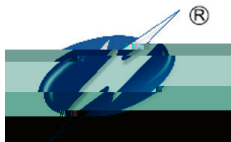


**Fig. 10 Switching Time vs. Load Resistance**



**Fig. 11 Frequency Response**





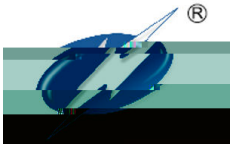
# TD356 Series

## SOP4, DC Input Photo Transistor Coupler

### TEST CIRCUITS

Fig. 12 Test Circuit of  $\tau_{on}$  Time

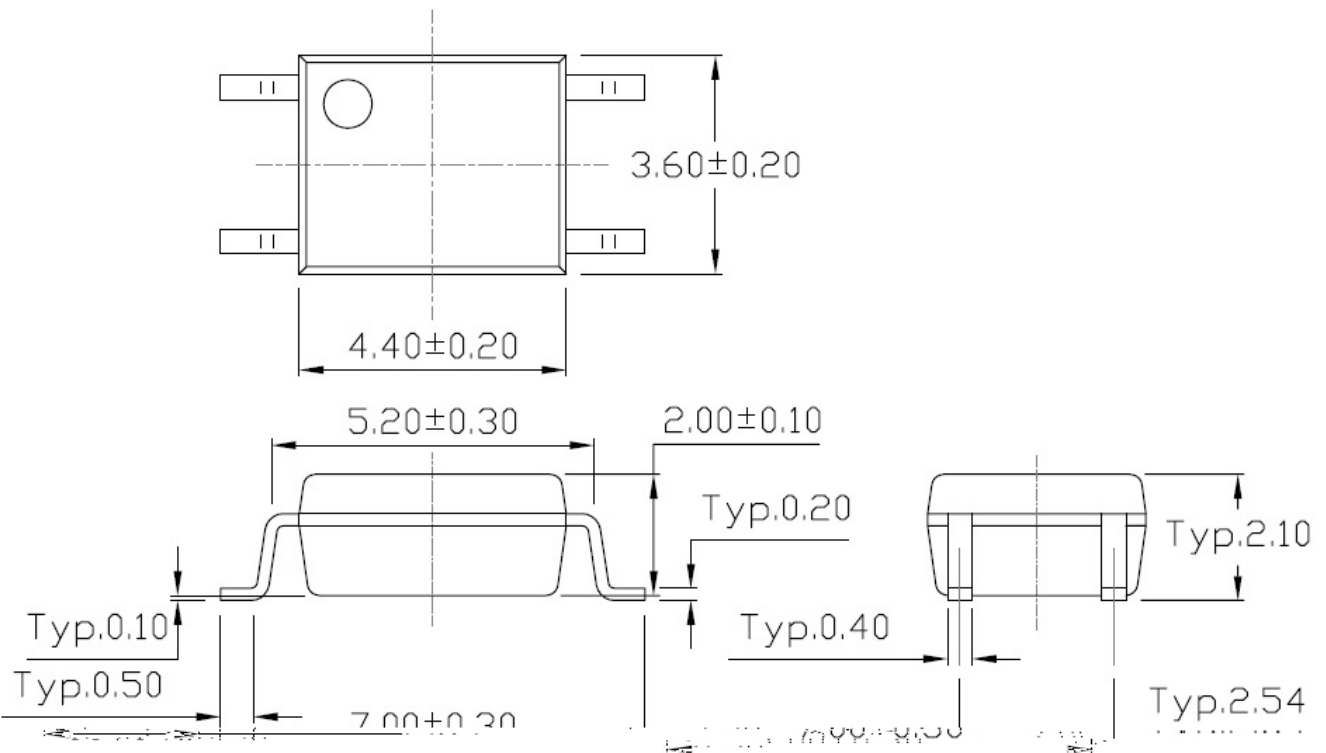
Fig. 13 Test Circuit of  $\tau_{off}$  Time



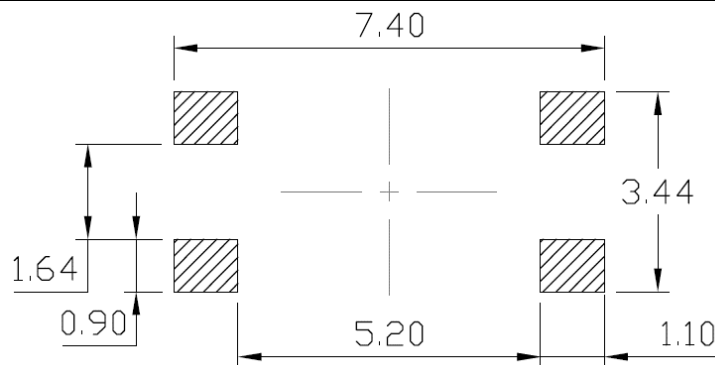
# TD356 Series

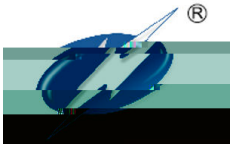
## SOP4, DC Input Photo Transistor Coupler

### PACKAGE DIMENSIONS (Dimensions in mm unless otherwise stated)



### Recommended Solder Mask (Dimensions in mm unless otherwise stated)



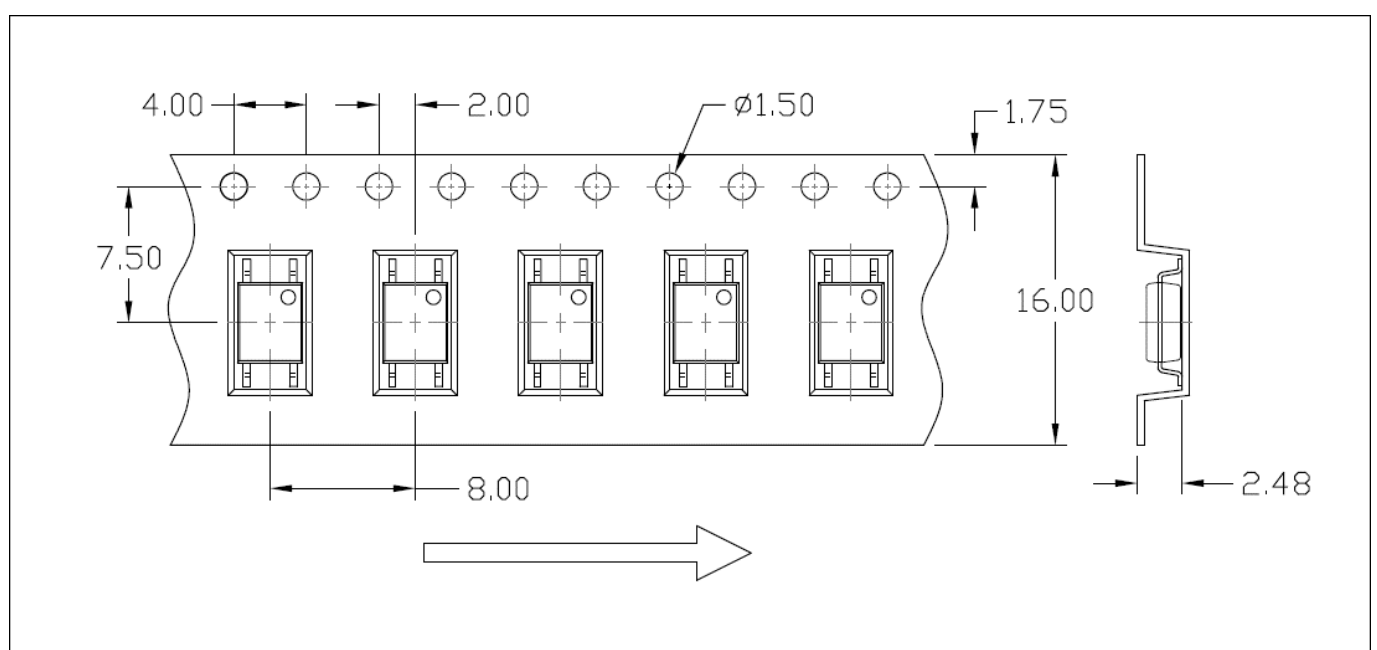


# TD356 Series

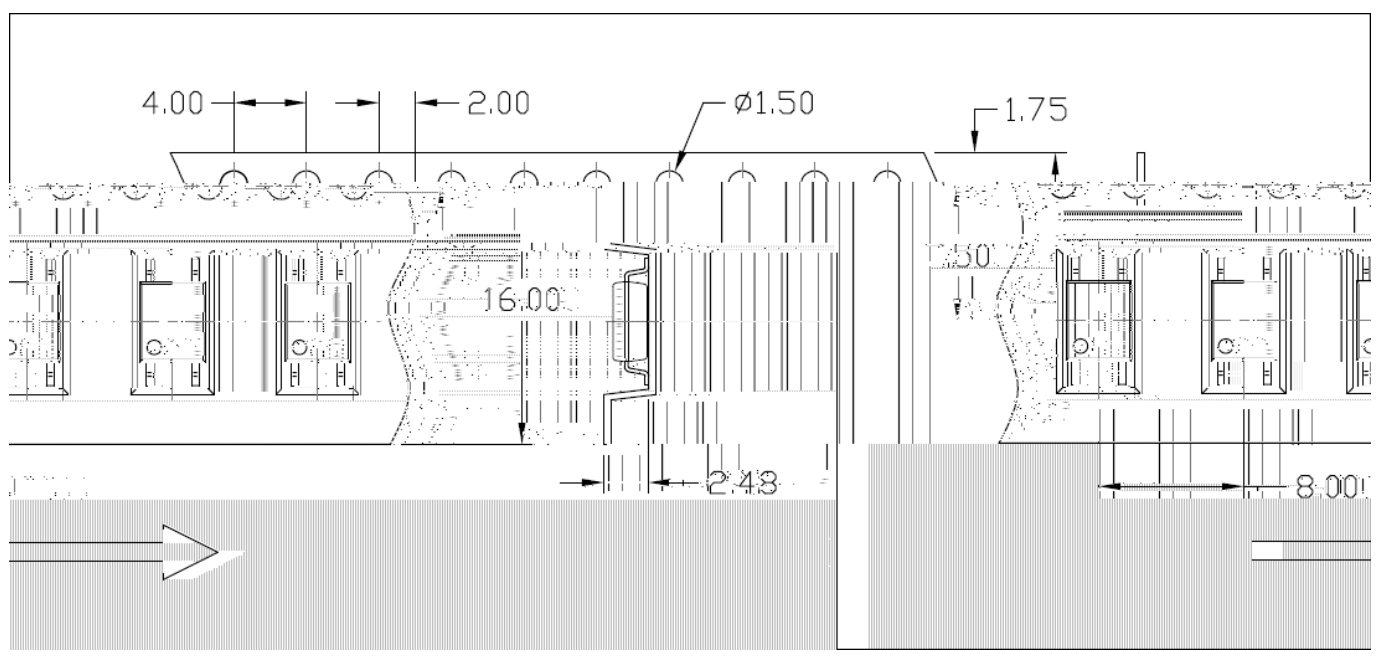
## SOP4, DC Input Photo Transistor Coupler

### TAPE SPECIFICATIONS (Dimensions in mm unless otherwise stated)

Option T1

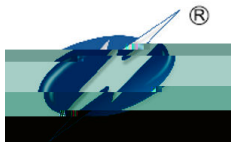


Option T2









# TD356 Series

## SOP4, DC Input Photo Transistor Coupler

### 1. ELECTRICAL SPECIFICATIONS (V<sub>CC</sub> = 5V, I<sub>C</sub> = 10mA)

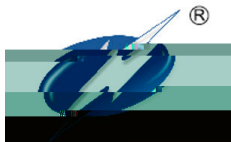
Inner Pinout

- 1 2 3 2" \* - 2 - 2 -

Outer Pinout

- 1 2 3 2" \* + 2 4 2 4





# TD356 Series

## SOP4, DC Input Photo Transistor Coupler

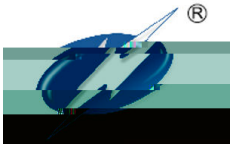
### OPERATIONAL INFORMATION

#### OPERATIONAL INFORMATION

Profile Feature

Sn3P1 Assembly Profile

P13Free Assembly



# TD356 Series

## SOP4, DC Input Photo Transistor Coupler

### DISC#AIME )

● 2> & 4>4 % < \$ \$ " 2> & 4>4  
% ! "  
● % "  
● 2> & 4>4 ! \$ " -  
- \$ 2> & 4>4 5 7  
\$ 5 7 \$ \$  
< \$ 5 7 \$  
● \$ < \$ % \$ 1% < \$  
\$ . " "  
● \$ \$ % \$ \$ "  
% L "  
● 2> & 4>4 < "  
● > || "  
● % % % "  
% " \$ % \$ % "  
|| - " -  
2> & 4>4 || \$  
- " "  
● ! \$ . ">  
"