

DK5V45R10ST1

A K

PN

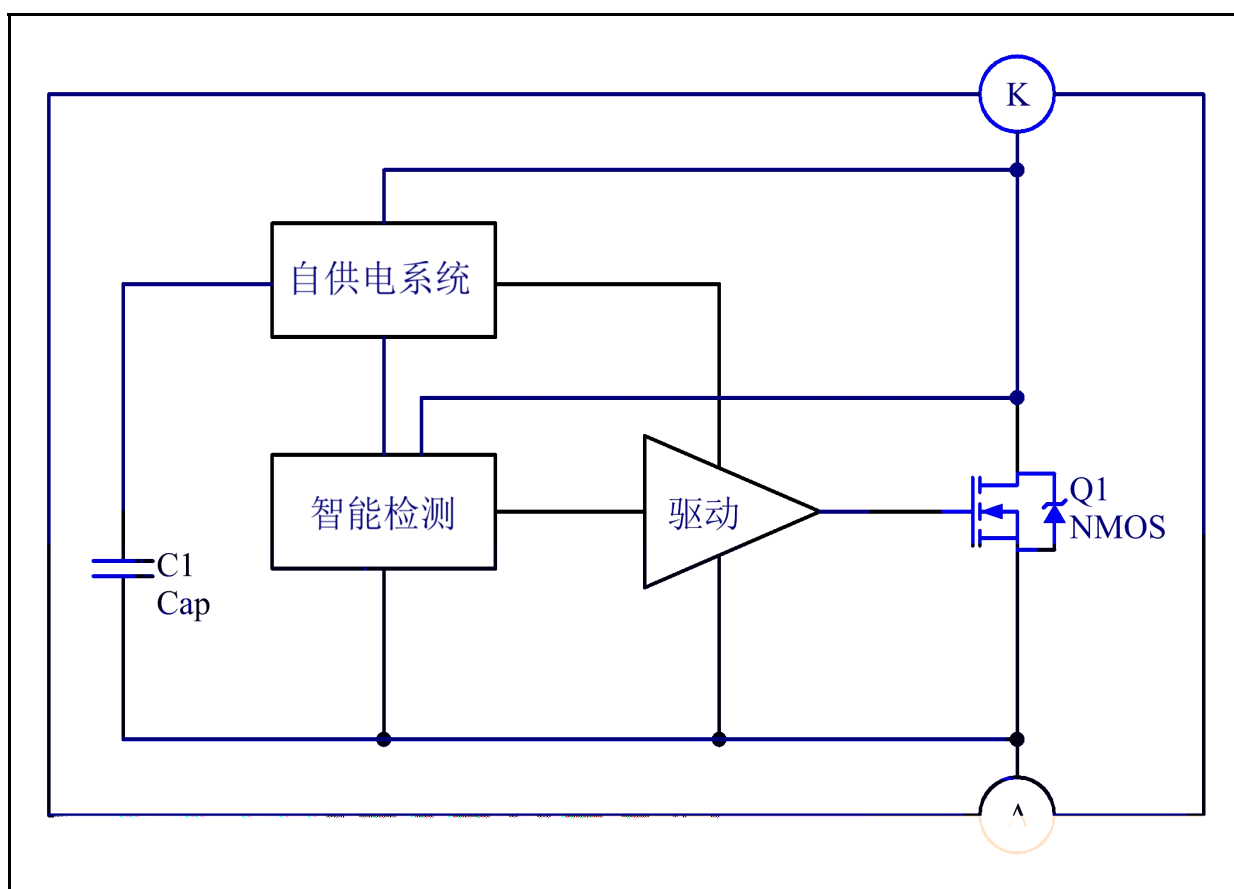
45V

NMOS

45

, DK5V45R10ST1

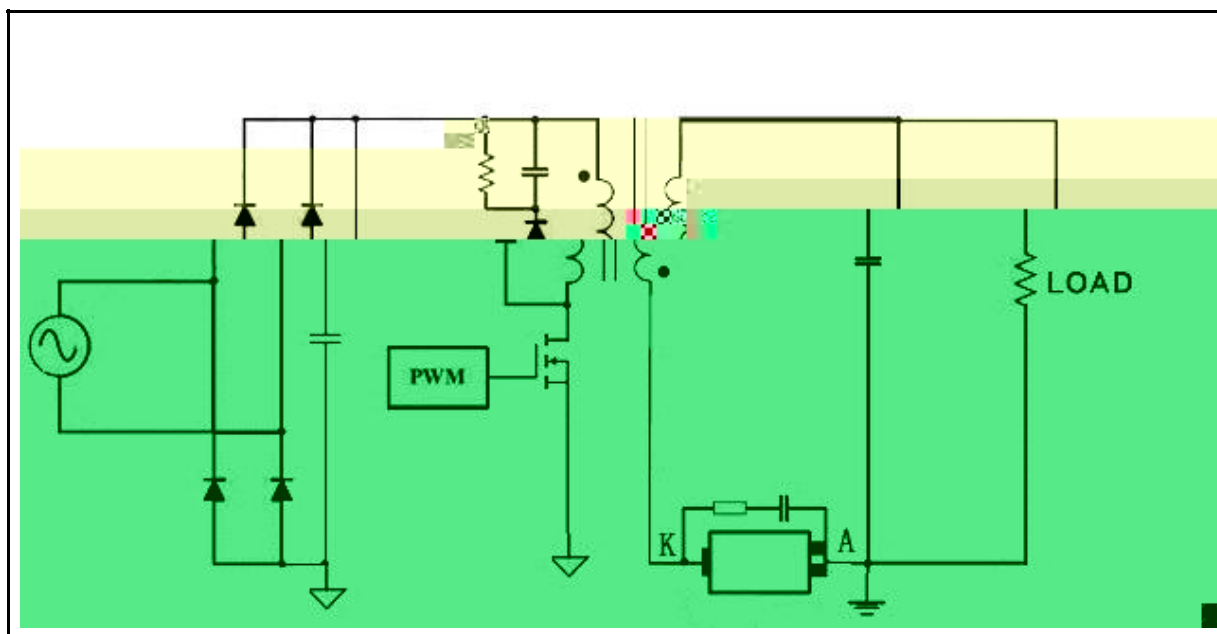
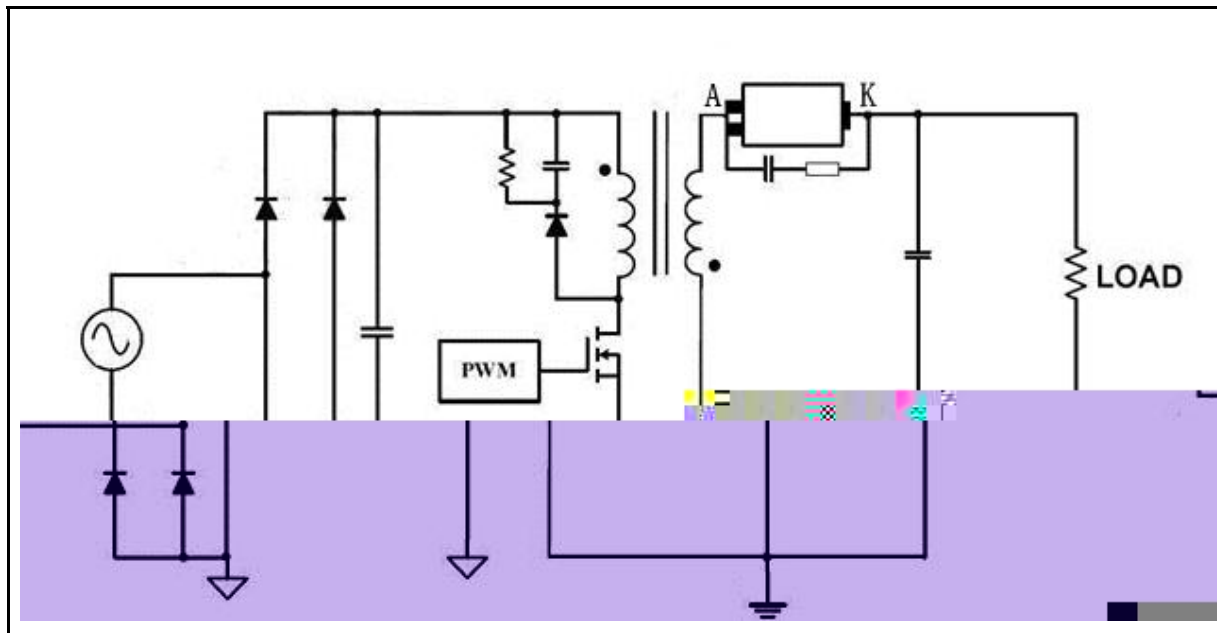
5A.

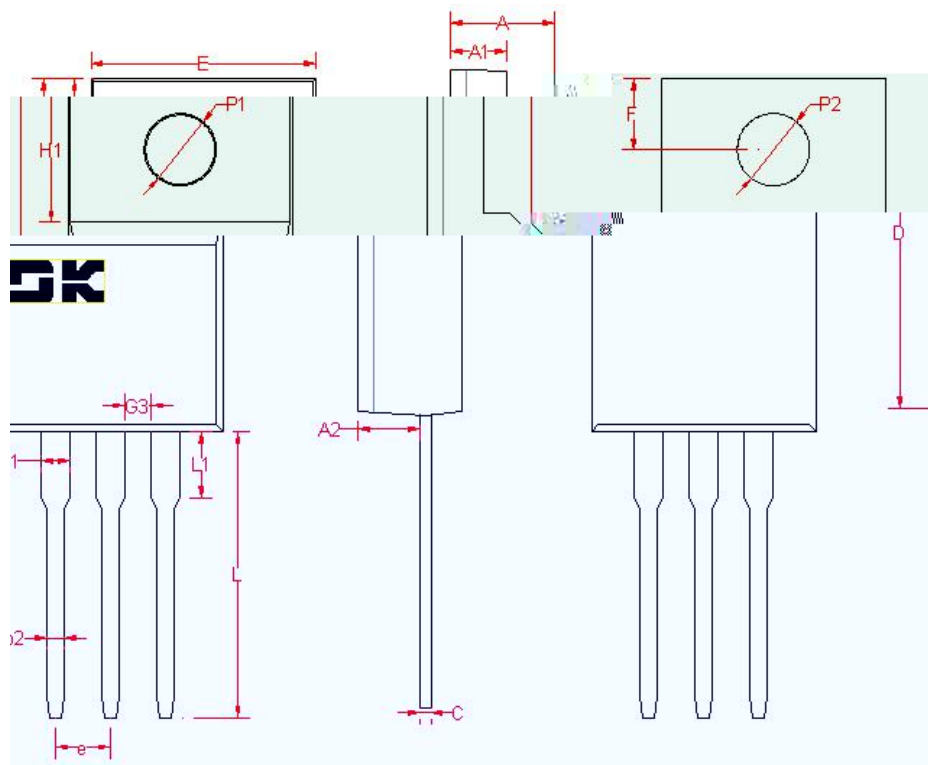


NMOS	$V_{(BR)DSS}$	45			V
NMOS	I_{DSCDC}			60	A
NMOS	I_{DSPDC}			100	A
TO220	P_{DMAX}		33		W
	$R\theta_{JA}$		62.5		/W
	$R\theta_{JC}$		3.8		/W
	T_{STG}	-55		155	
	T_J	-40		150	
			260/5S		
ESD(HBM)			± 4000		V
ESD(MM)			± 350		V


 $T_A = 25$

①	V_{CC_ON}			7.2	V
①	V_{CC_OFF}			3.3	V
①	V_{OVP}			10	V
NMOS	V_{ON}	K		-220	mV
NMOS	T_{DON}			150	ns
NMOS	T_{DOFF}			50	ns
NMOS	T_{ON_MAX}			20	μs
NMOS	T_{ON_MIN}			200	ns
NMOS	T_{OFF_MIN}			500	ns
②	T_D			400	ns
	F_{S_MAX}			150	KHz
NMOS	R_{DS_ON}			10	m Ω





A	4.65	4.72	4.80
A1	2.50	2.55	2.60
A2	2.70	2.75	2.80
C	0.50	0.55	0.60
E	10.05	10.15	10.25
H1	6.70REF		
D	15.80	16.00	16.20
G3	1.20	1.30	1.40
b1	1.25	1.35	1.45
b2	0.80	0.85	0.90
e	2.54BSC		
L	12.90	13.00	13.10
L1	2.95	3.00	3.05
P1	3.12	3.15	3.18
P2	3.25	3.30	3.35
F	3.20	3.30	3.40

 <p>WARNING! ESD SENSITIVE DEVICE</p>	<p>ESD</p>
---	------------

-
-
-
-
-
-
-

-