



## SMD zinc oxide varistor specification



# SPECIFICATION FOR APPROVAL

---

---

---

---

---

---

Huizhou Jingqin Electronic Components Co., Ltd		
Made By	Checked By	Approval By

Customer Approval		
Prepared By	Checked By	Approval By

302

B 301

TEL :+86-755-29563634,13889916088

FAX : +86-755-27447020

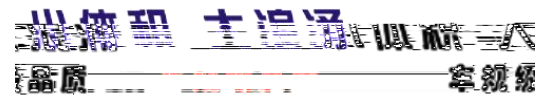
Http://www.frxelec.com E-mail:564234830@qq.com

TEL



## SMD zinc oxide varistor specification

### 1 Feature



### 2 Application



## SMD zinc oxide varistor specification

### 3 Applicable standards

### 4 Part No. Explain

FRX®	4032	F 3225	K 471	G2
贴片尺寸: SMD Size: 3225≈8.2×6.3mm 4032≈11.0×8.2mm				15寸料盘卷装: 15" Reel packing: 3225: 1820PCS/reel 4032: 1500PCS/reel
压敏电压公差: ±10%				压敏电压 (V1mA): 47 × 10 <sup>1</sup> = 470V
Varistor voltage tolerance: ±10%				Varistor voltage (V1mA): 47 × 10 <sup>1</sup> = 470V

### 5 General Technical data

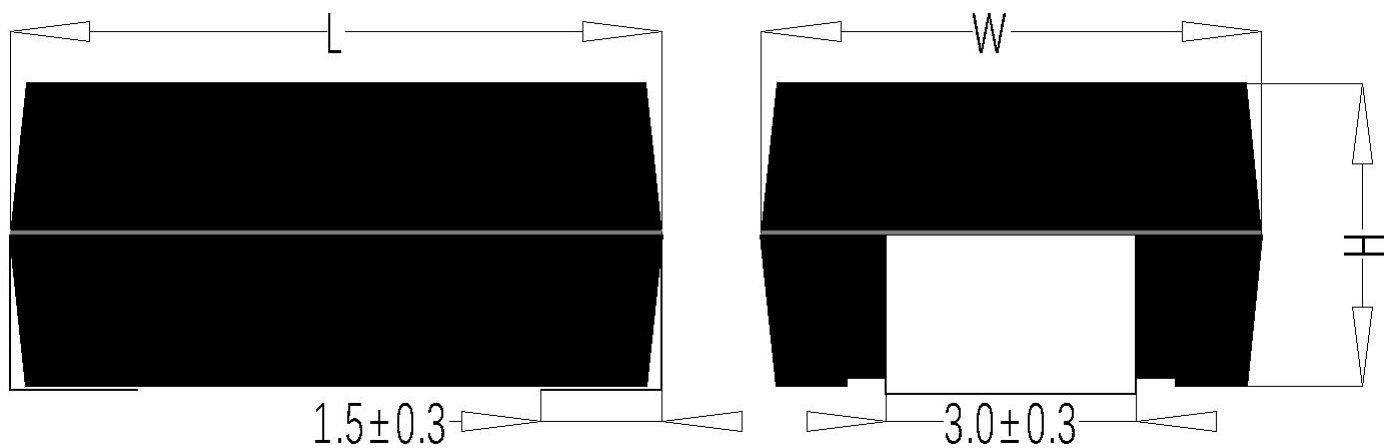
Parameter Name	Parameter value	Unit
Operating temperature		
Storage temperature		



## SMD zinc oxide varistor specification

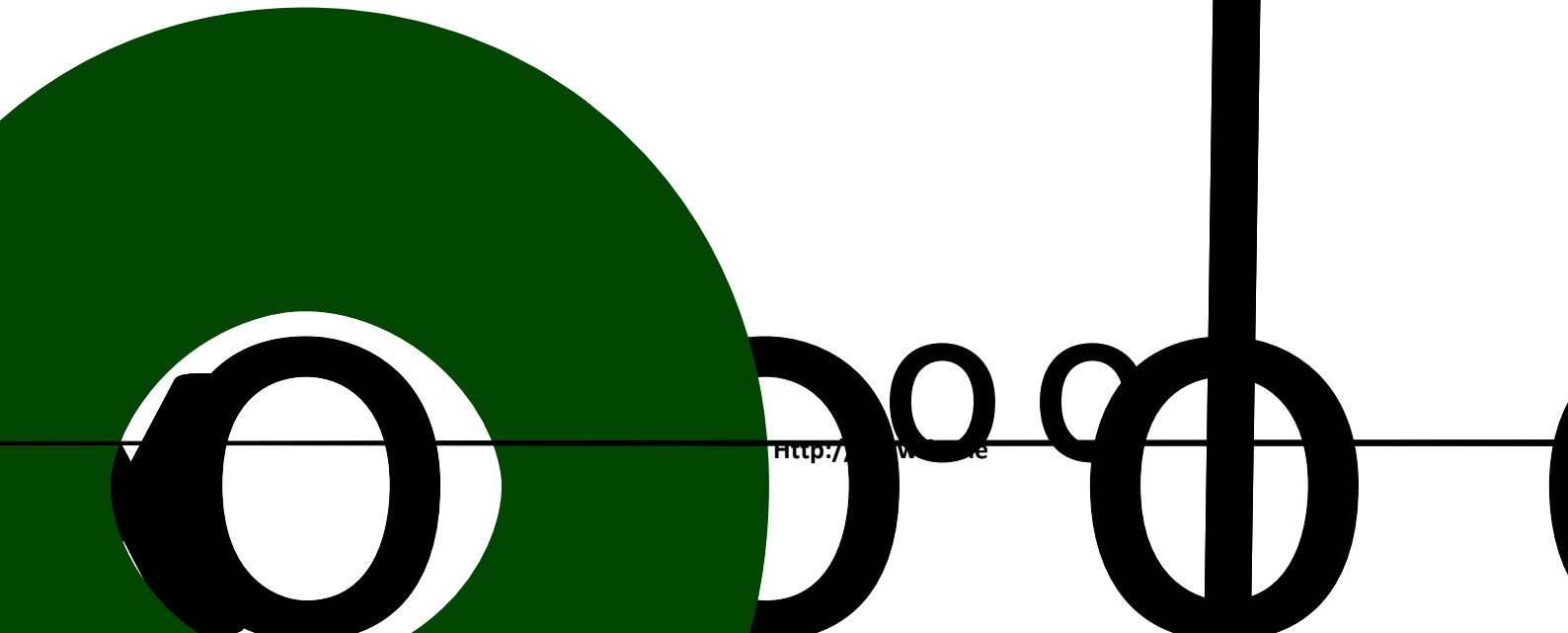
Voltage Proof		
Insulation Resistance		

### 6 Structure and Dimensions




### 7 Dimensions

## SMD zinc oxide varistor specification



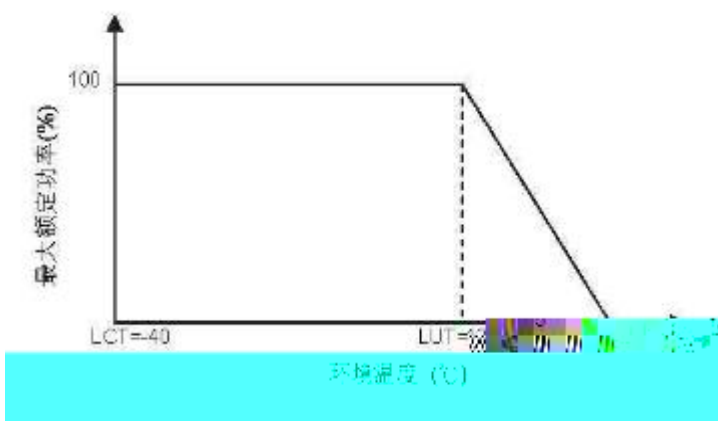


## **SMD zinc oxide varistor specification**

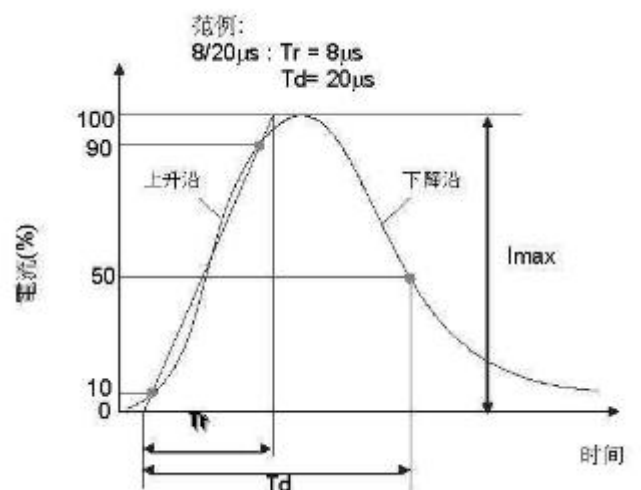


## SMD zinc oxide varistor specification


Power derating curve



Standard Waveform of Impulse Current



Maximum impulse current derating curve

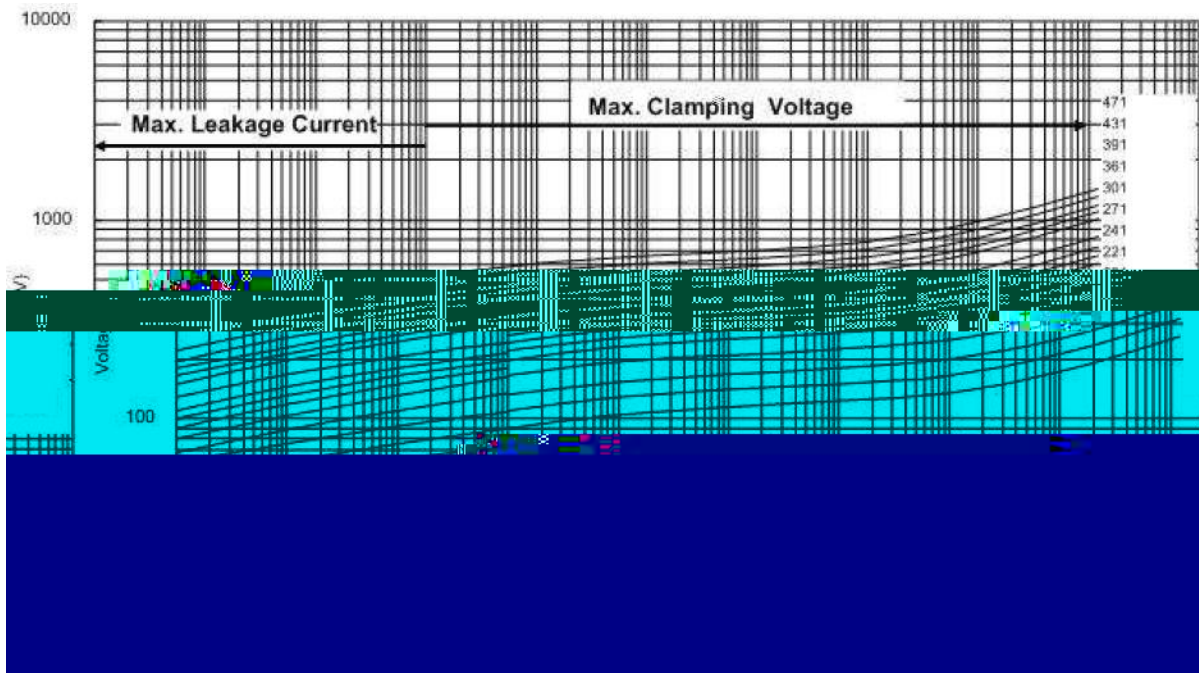


## **SMD zinc oxide varistor specification**

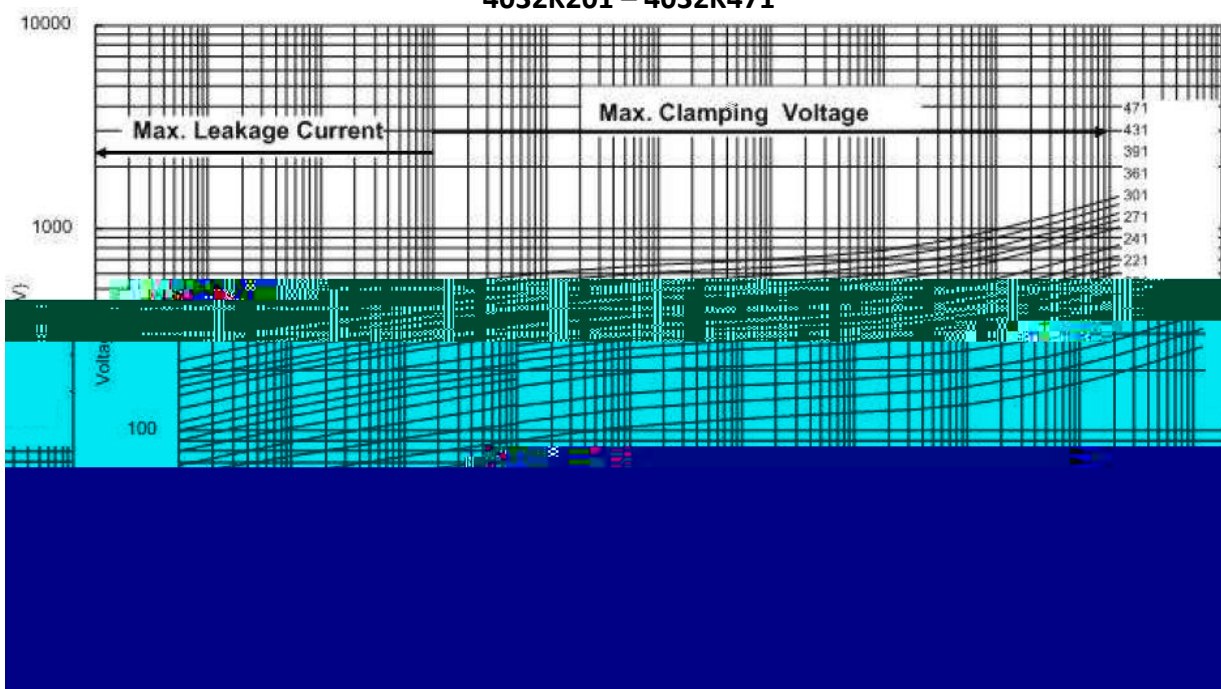


## SMD zinc oxide varistor specification

### Maximum leakage current and maximum allowable voltage 3225K201 – 3225K471



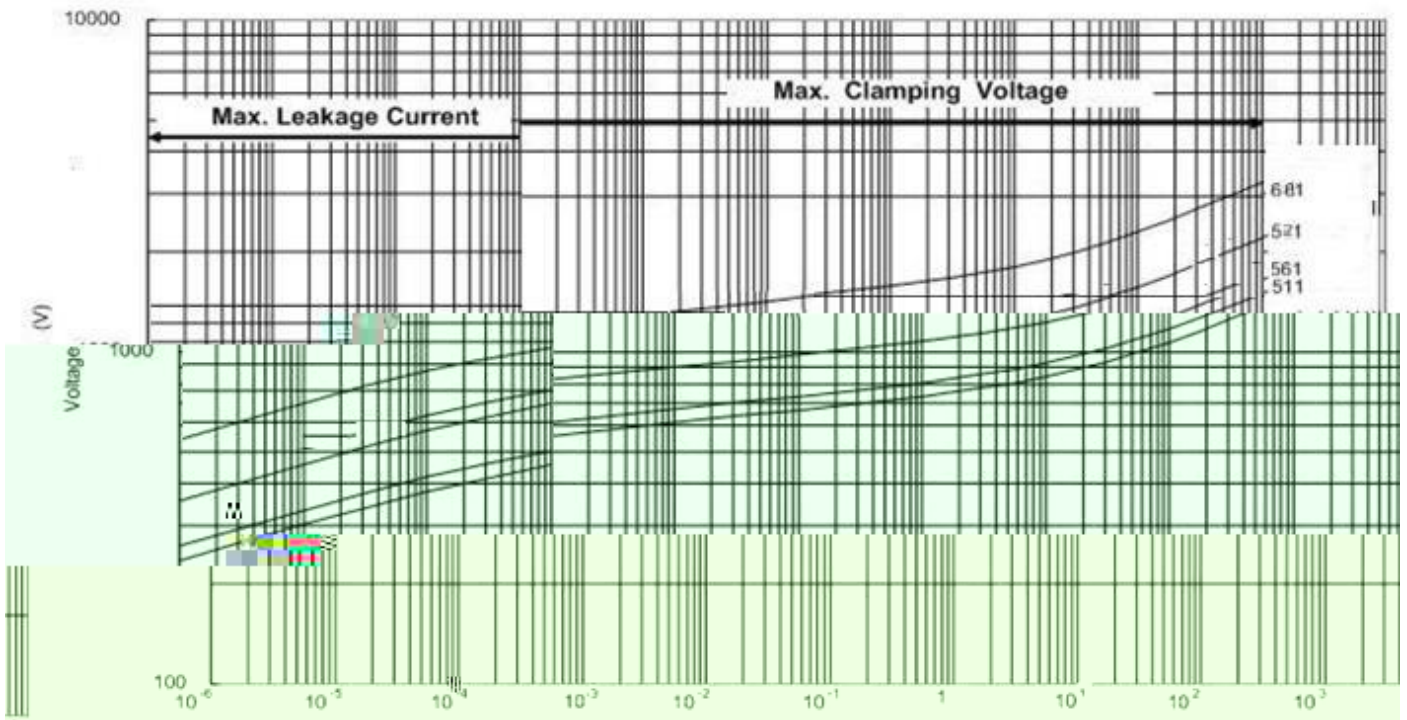
### 4032K201 – 4032K471





# SMD zinc oxide varistor specification

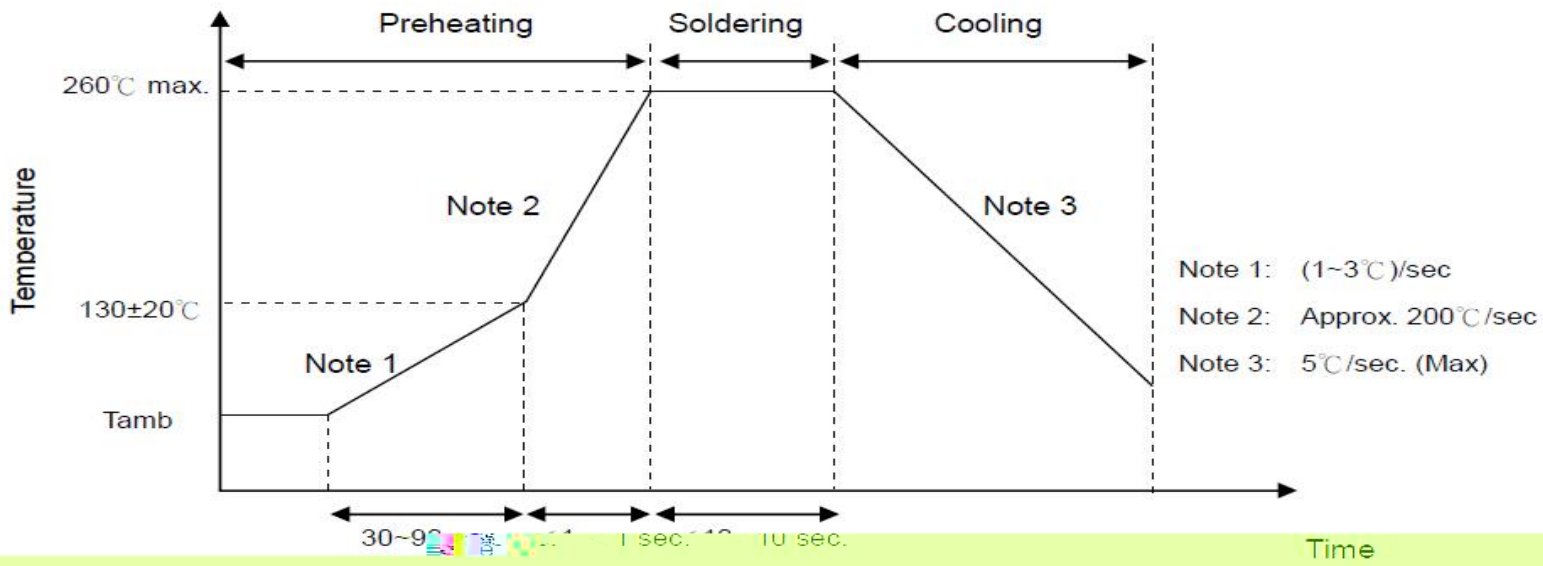
3225K511 – 3225K681





# SMD zinc oxide varistor specification

9





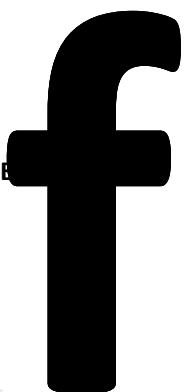

## SMD zinc oxide varistor specification

### 10 Reliability

Item	Standard	Test condition / Method	Specifications																								
		<table border="1" style="width: 100%; border-collapse: collapse;"> <tr><td style="width: 25%;"> </td><td style="width: 25%;"> </td><td style="width: 25%;"> </td><td style="width: 25%;"> </td></tr> <tr><td> </td><td> </td><td> </td><td> </td></tr> <tr><td> </td><td> </td><td> </td><td> </td></tr> <tr><td> </td><td> </td><td> </td><td> </td></tr> <tr><td> </td><td> </td><td> </td><td> </td></tr> <tr><td> </td><td> </td><td> </td><td> </td></tr> </table>																									



## SMD zinc oxide varistor specification

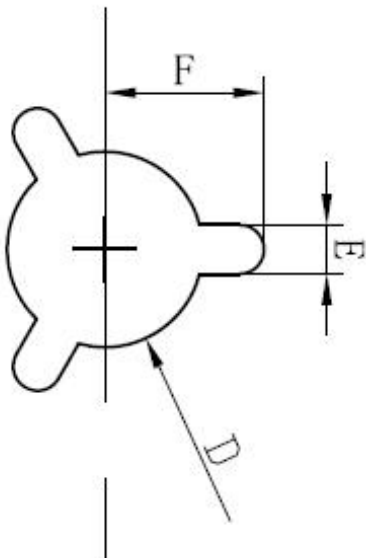
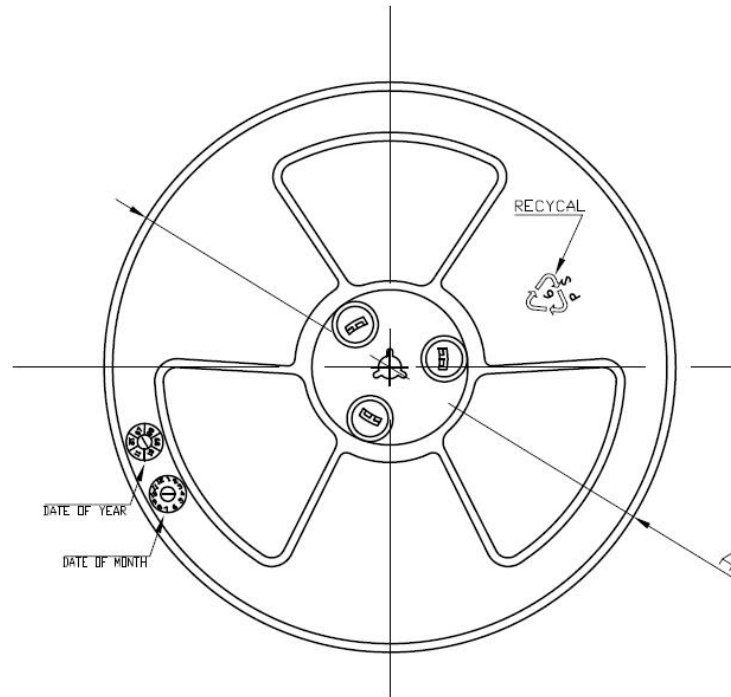




# SMD zinc oxide varistor specification

15 inch plastic tray size

(





### SMD zinc oxide varistor specification

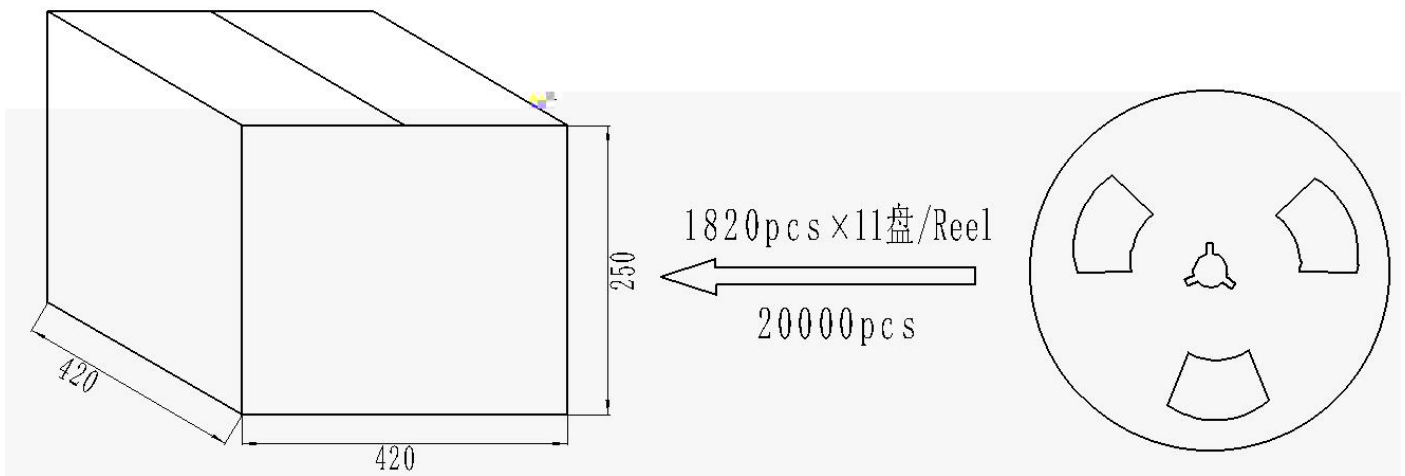
12 Carton Packing

(

**3225**

20 /

Weight 20kg/Box



**4032**

16 /

Weight 16kg/Box

