

PRODUCT SPECIFICATION

-

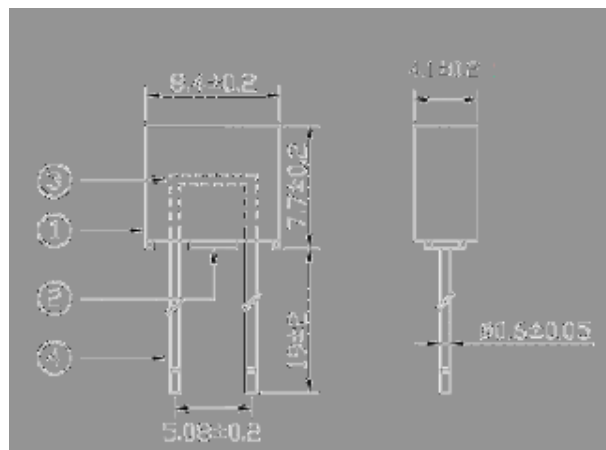
SHENZHEN LANSON ELECTRONICS CO.,LTD.	PRODUCT	EDITION NO.	A/5
	SPECIFICATION	FILE NO.	LS/C-005-28
	MODEL SMT	PAGE	PAGE 1 OF 4

This product is suitable for various kinds of electronic machines to work for over current protection.

2.1 Standards IEC60127-1 IEC60127-3 GB/T9364.1 GB/T9364.3

2.2 Certification


Certification	Scope of Certification	Certification No.
UL	100mA~20A	E221465
CCC	500mA~6.3A	2020970207000101
VDE	5A~6.3A	40013102
VDE	500mA~4A	40012592
SEMKO	500mA~6.3A	1708229
PSE	1A~5A	JET5359-31007-2002
KTL	500mA~800mA	SU05026-7011A
	1A~2.5A	SU05026-7012A
	3.15A~4A	SU05026-7013A
	5A~6.3A	SU05026-14003



No.	Part Name	Material
	Case	Thermoplastic Nylon UL94-V0
	Base	Thermoplastic Nylon UL94-V0
	Fuse element	Alloy
	Lead wire	Tinned copper wire

SHENZHEN LANSON ELECTRONICS CO.,LTD.	PRODUCT	EDITION NO.	A/5
	SPECIFICATION	FILE NO.	LS/C-005-28
	MODEL SMT	PAGE	PAGE 2 OF 4

The fuse shall have the following marking :

Lanson's logo 

Time-lag Symbol T

Ampere rating 3.15A

Voltage rating 250V

Product Model SMT

Approved Symbol 

6.1

There shall not be any remarkable stain rust or crack on the appearances.

6.2

Marking shall be easily legible.

Tensile test

10N

1

Exert the axial pulling force of 10N to the both ends of lead wire for 1 minute. After the test the fuse shall be no damage and loosening.

8.1 Test condition

25±5

All electrical characteristics tests are conducted at an ambient temperature of 25±5 .

8.2 Interrupting rating test

35A 10

0.1MΩ

The fuse interrupting capacity 35A or 10 times the rated current whichever is greater. After interrupting, the insulation resistance between the fuse terminations shall be not less than 0.1MΩ.

SHENZHEN LANSON ELECTRONICS CO.,LTD.	PRODUCT	EDITION NO.	A/5
	SPECIFICATION	FILE NO.	LS/C-005-28
	MODEL SMT	PAGE	PAGE 3 OF 4

8.3 - Time-Current Characteristics

% % of ampere rating	Opening time
210%	2 min Max
275%	400 ms~10 s
400%	150 ms~3 s
1000%	20 ms~150 ms

8.4 Endurance test

1 , 15 ,

100

A ampere rating specified in the relevant standard sheet is passed through the fuse for a period of 1h.The current is then switched off for a period of 15 minutes. This cycle is repeated 100 times. After the test the fuse shall be no damage and loosening.

8.5 Soldering parameters

8.5.1 260 , 10

Wave soldering 260 ,10 sec. Maximum

8.5.2 370 , 5

Manual soldering 370 , 5 sec. Maximum

8.6 **Time- current** curve see attachment

9.1 Operating Temperature

-55 125

9.2 Storage Conditions

75% 3

Relative humidity 75%, store 3 years .

10.1 500PCS/ 3 / 10 / ()

500 fuses per plastic bag, 3 plastic bags per inner box, 10 inner boxes per external carton.

(The actual case in accordance with the customer order)

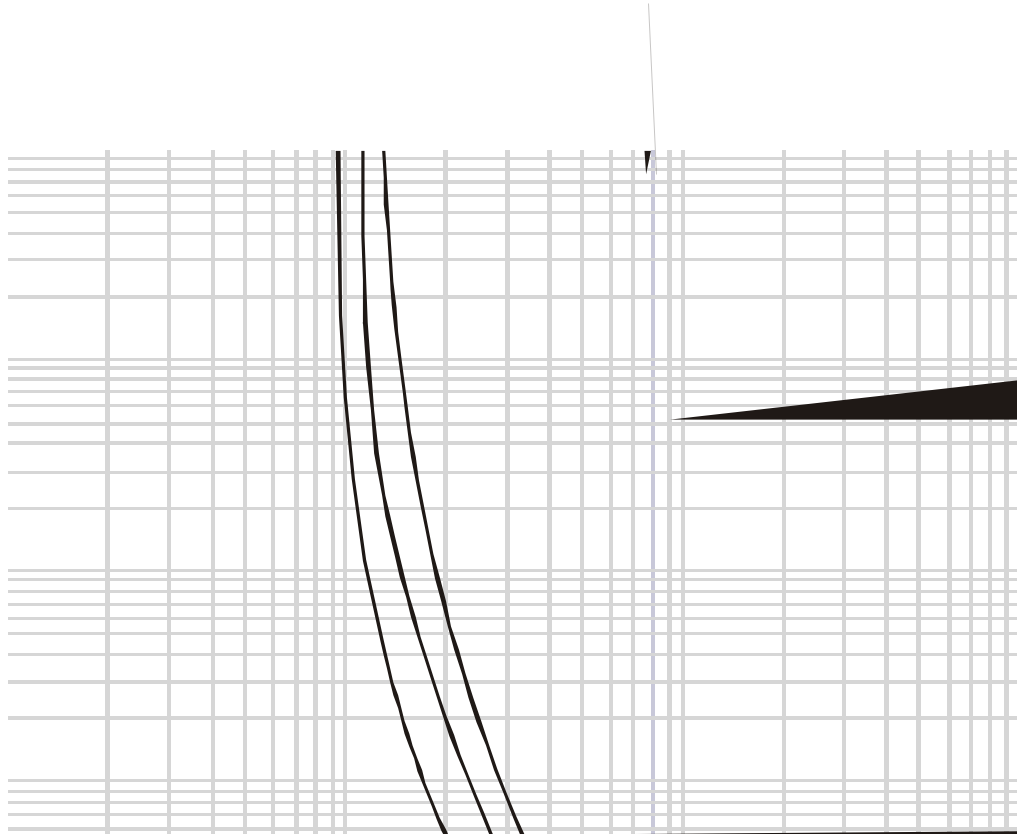
10.2 RoHS

The product is compliant with RoHS Directive

Appendix: The specification attached safety certificate and RoHS directive test report.

SHENZHEN LANSON ELECTRONICS CO.,LTD.	PRODUCT	EDITION NO.	A/5
	SPECIFICATION	FILE NO.	LS/C-005-28
	MODEL SMT	PAGE	PAGE 4 OF 4

attachment



2022/2/14

UL Product iQ™

JDYX2.E2214

SHENZHEN
A18TH BLDG
3 INDUSTRIAL ZONE
FUQIAO FU
SHENZHEN

LANSON ELECTRONIC
G
AL ZONE
YONG TOWN, BAO'AN
, GUANGDONG 518133

Fuses, Supplemental - Component

DISTRICT
China

Category	Part No.	Size mm(in)	Amps (A)	Volts (V)
5D	5.2 x 20 (0.20 x 0.79)		4-7	125V _{ac}
			4-7	250V _{ac}
			8-10	125V _{ac}
			8-10	250V _{ac}
			0.125-0.315	125V _{ac}
			0.125-0.315	250V _{ac}
			0.4-0.8	125V _{ac}
			0.4-0.8	250V _{ac}
			1-6.3	125V _{ac}
			1-6.3	250V _{ac}
5F	5.2 x 20 (0.20 x 0.79)		0.2-0.8	125V _{ac}
			0.2-0.8	250V _{ac}
			1-6.3	125V _{ac}
			1-6.3	250V _{ac}
5K	5.2 x 20 (0.20 x 0.79)		8-15	125V _{ac}
			8-15	250V _{ac}
			0.5-0.8	250V _{ac}
			1.0-3.15	250V _{ac}
5M	5.2 x 20 (0.20 x 0.79)		8-15	250V _{ac}
			0.5-0.8	250V _{ac}

<https://iq.ulprospector.com/en/profile?e=600159>

JDY2

SPT

7.7
(16 x 0.30)

SQT

5
(16 x 0.20)

Supple

cases: pigtail lead

SMT

7
(15 x 0.30)

Supple

cases: surface mc

12D

(15 x 0.30 x 0.03)

JDYX8.E221465 - Fuses, Supplemental

l Certified

ed for

JDYX8.E221465 - Fuses, Supplemental
Canada - Competent

Fuses, Supplemental Certified for

SHENZHEN LANSON ELECTRONICS CO LTD
A18TH BLDG
3 INDUSTRIAL ZONE
FUQIAO FUYONG TOWN, BAO'AN DISTRICT
SHENZHEN, GUANGDONG 518108 China

Cat. No.	Size mm (in)	Ap (mps A)
Supplemental fuses:		
5D	5.2x20 (0.20x0.79)	4-7
		4-7
		8-10
		8-10
5F	5.2x20 (0.20x0.79)	0.125-0.3
		15
		0.125-0.3
		15
		0.4-0.8
		0.4-0.8
5K	5.2x20 (0.20x0.79)	1-6.3
		1-6.3
		0.2-0.8
		0.2-0.8
		1-6.3
		1-6.3
5M	5.2x20 (0.20x0.79)	8-15
		8-15
		0.5-0.8
		0.5-0.8

VDE Prüf- und Zertifizierungs

ZEICHENGENEHMIGUNG MARKS APPROVAL

Shenzhen Lanson Electronics Co. Ltd.
 A18th Bldg., 3rd Industrial Zone,
 518103 Baoan District, SHEZHEN, CHINA

is authorized to use for the
 Kleinleistungssicherungsmicro-miniature fus

die hier abgebildeten markenrechtlich
 the legally protected trade marks shown below for



Geprüft und zertifiziert nach /
 Tested and certified according to

DI	EN 60127-1 (VDE 0	
DI	EN 60127-3 (VDE 0820-1)	
IE	60127-1:2006 (820-3)	2015-12; EN 60127-1:2006+A1:2011
IE	60127-1:2006/AMD	2015-11; EN 60127-1:2006+A1:2011
IE	60127-1:2006/AMD1:2011	EN 60127-3:2015
IE	60127-3:2015	2:2015

VDE Prüf- und Zertifizierungs- und Zertifizierungsanstalt
 VDE Testing and Certification Institute GmbH
 Zertifizierungsstelle / Certification Institute

R. Nickel

VDE Zertifikat ist nur gültig bei Veröffentlichung
 VDE certificate is valid only when published



Aktenzeichen: 500297
 File ref.: 40012
 Ausweis-Nr.: 592
 Certificate No.: 04-12-16
 Weitere Bedingungen siehe Rückseite
 Further conditions see following page
 Offenbach, 2016 (letzte Änderung)
 http://www.vde.com/certificate



VDE Zeich

Name und S
Shenzhen
DISTRICT

Aktenzeiche
5002979-

Dieses Bla
This suppl

Kleinste Sub-mi

Typ(en) /

- SMT T500
- SMT T630
- SMT T800
- SMT T1A
- SMT T1,2
- SMT T1,6
- SMT T2A
- SMT T2,5
- SMT T3,1
- SMT T4A2

Bemessung
Rated voltage

Normblatt
Standard sh

Kennzeichn
Characterist

Bemessung
Rated break

Zeit/strom-C
Time/curren

Anmerkung
Remark

Dieser Ze
CE-Kennze
grundleger
*This Marks
his agent a
2014/35/E*

Fortsetzung
continued

V
Z

6 Proj- and I
K... ..

Nar
Sh
DIS

... ..

Akt
500

... ..

Dies
This

... ..

VDE
VDE
Fach
Sec

... ..

... ..

... ..

... ..

... ..

.

.

.

.

.

... ..

... ..

VDE Prüf- und Zertifizierungsstelle

Name und Sitz des Geprüften
Shenzhen Larison Electronics Co., Ltd.
DISTRICT, SHENZHEN, GUANGDONG

Aktenzeichen / File No.
500 2979-1170-0005 / 234779 / C

Dieses Beiblatt ist Bestandteil des Zertifikats.
This supplement is part of the Certificate.

Kleinleistungssicherungseinsatz
Sub-miniature fuse-link

Fertigungsstätte(r)
Place(s) of manufacture

Referenz/Reference
300 14703

Shenzhen
Co. Ltd.
A18th
Fuqiang
518103
Guangdong
CHINA

VDE Prüf- und Zertifizierungsstelle
VDE Testing and Certification Institute
Fachbereich CC2
Section CC2

VDE Zeich

Name un
Shenzh
DISTR

Aktenzei
500297

Dieses
This sup

**Geneh
VDE:**

Grundl
Zertifiz
bezeich
zugeor
Herstel
Die Ge
haben,
zurück
Der G
gesetzl
einem
Produk
2009/2
Der VC

Appro
Basis
(www.vde.com)
named
shall be
The ap
unless
The va
or norm
Produc
market
The ap



自我声明符合性信息报送系统

管，声明：本系统内所有信息仅用于强制性产品认证自我声明符合性信

性由自我声明符合性信息的企业、相关认证机构及实验室提供，数据的真

联系提供方负责，如有疑问，请联系相关企业、认证机构和实验室。如需报

告，请联系当地市场监管部门。

自

方自我声明 基于强制性产品认证结果

自式： (201901207243122)

编自我声明 2020970207000101

自号：

时自我声明 2020-08-28

自同：

状自我声明 有效

变号：

>> 轨迹



202097020

生产

生产者信息

生产者名称	深圳市良胜电子有限公司	生产地址	广东省深圳市宝安区桥头第三工业区二(第二、三层)
生产者统一社会信用代码	914403007432122743	生产者地址	(第二、三层)
生产者联系人	张毅 电话 13701433086	电子邮箱	engineering@lans

产品

产品信息

产品号	类别编号 0207	产品类别名称	小型熔断器的管状熔断体	依据的强制性产品认证规则
产品名称	产品系列、型号、规格		依据的标准	

超小型熔断体

生产企业信息

生产企业名称

深圳市良胜电子
有限公司

附件信息

批量

序号	附件名称
1	生产者及授权

適合
Statement

電気用品安全法
第8条第1項に
係る検査に
ついては、
I hereby certify that the product mentioned herein conforms with the technical requirements defined by the Act (limited to Item 2 of the Appendix 4 of the Enforcement Regulations of the Act)

- 1. 証書番号: JET 5
- 2. 有効期限: 2022年1月7日
- 3. 有効期限: 2029年1月6日
- 4. 申請者: 名 (Applicant)

氏名
Name
5. 特定電気の区別名: その他の電気用品
6. 型式番号の区分: 別紙のとおり
7. 製造工場住所: A18TH BL TOWN, BA

氏名
Name
8. 適用試験規格: 電気用品試験規格 別表第12
Applied Standard for Testing: Description of Appendix 12

9. 適合性の検査の方法: (Testing Method) 電気用品に
1) 試験に定める方法: 電気用品に
2) 当該電気用品安全法の施行規則別表第4の1に掲げる検査設備の技術上の基準の要する検査設備については、それぞれ
With respect to inspection facilities requirements for each inspection of the Act.

証明
Statement

電気用品安全法
第9条第2号に
係る検査に
ついては、
I hereby certify that the product mentioned herein conforms with the technical requirements defined by the Act (limited to Item 2 of the Appendix 4 of the Enforcement Regulations of the Act)

007

INDUSTRIAL ELECTRONICS CO., LTD.

INDUSTRIAL ELECTRONICS CO., LTD.

同法第9条第2号に
係る検査に
ついては、
I hereby certify that the product mentioned herein conforms with the technical requirements defined by the Act (limited to Item 2 of the Appendix 4 of the Enforcement Regulations of the Act)

INDUSTRIAL ELECTRONICS CO., LTD.

INDUSTRIAL ELECTRONICS CO., LTD.

INDUSTRIAL ELECTRONICS CO., LTD.

試験に定める方法: 電気用品に
検査設備については、それぞれ
With respect to inspection facilities requirements for each inspection of the Act.

要

定格電圧 Rated voltage
定格電流 (定格電流表示) Rated current (limit current markings)
適用電動機の定格容量 (場合に限る。) Rated capacity of a those without rate
可溶体の主材料 Fuse element material
可溶体の数 Number of fuse element
再使用 (管形ヒューズ) Reusability (exclud
内部充てん物 Filler materials
筒 (内筒を除く。) の Outer cartridge material
端子 Terminals
排気孔 Exhausting opening
溶断の表示 Blowout fuse indicator
用途 Application
定格遮断電流 Rated breaking capacity

접수 번호
(Receipt No.)

11-1921
0-3417

전기용품안전인증서

Electrical Appliances Safety Certificate

안전
(Certificate)

제
(No.)

대
(Manufacturer)

제
소
(Factory)

제
(Address)

기
본
(Basic)

정
(Specification)

파
생
(Series)

적
용
(Scope)

번호 : SU05026-7013A
대표명 : Shenzhen Lanson Electronics Co., Ltd.
제소명 : Mr. Xianning Guo
제주소 : A15th Bldg, 3rd Industrial Zone, Fuqiao Fuyou District, Shenzhen P.R.China
기본명 : 소형퓨즈(통형 퓨즈링크)(Miniature fuses)
정명 : SM-T T3.15A 250V
파생명 : T3.15A, AC250V, 35A
적용명 : SM-T T4A 250V
번호 : K60127-1(2008-12), K60127-2(2006-11)

안전관리법 시행규칙 제6조제2항에 따라 위의 전기용품에 대하여
본 인증서(Annex 1)를 발급합니다.
Electrical Appliances Safety Certificate as above product by Annex 1 of the Enforcement Regulation.
Electrical Appliances Safety Control Law

2011년 06월 17일
year month day

ktl 한국산업기술시험원
KOREA TESTING LABORATORY

첨
부
(Annex)

「전기용품안전관리법」에 따른 전기용품 안전성 확인에 한정된
되는 제품 종류의 경우에는 해당 법률에 따라 추가로 인증·허가 등을
안전관리 부품 및 제질목록 (List of Critical Components)
기본모델 파생모델의 내용 (General Descriptions of Certified Products)
전기용품 안전인증의 변경 현황 (Status of Certificate Revisions)

안전인증 및 자율안전확인

Safety Certification and Self-Regulatory Safety Confirmation

- 본 인증서 또는 신고증명서는 기재된 제조공장에서 생산된 제품에 한하여 유효합니다. (This certificate is valid only when the product meets the applied manufacturing factory that appears on the certificate.)
- 안전인증 방법 또는 자율안전확인 마크는 본래의 의미와 다르게 사용하거나, 광고, 카탈로그 등에 사용하면 인증정지 또는 취소될 수 있습니다. (The use of the certification or cancellation of the certification may occur on mark(KC-mark) or self-regulatory mark if used differently than intended or the public by false advertisement on the certificate.)
- 다음과 같은 사유가 발생할 경우에는 사유가 발생 시 안전인증 또는 자율안전확인 변경 신청을 하여 안전인증 또는 자율안전확인 재발급을 받아야 합니다. (In case of the following reasons, safety certification shall be reissued or self-regulatory safety confirmation shall be reissued for revision.)
 - 제조자, 대표자, 주소 등 인증서 기재내용의 변경 (Such as factory name, factory address, president, etc.)
 - 파생모델의 추가, 변경 또는 삭제 (Adds, changes or deletion of derivative models)
 - 안전관리부품의 변경 또는 추가 (Adds or changes of safety management parts)
 - 인증서 또는 신고증명서의 분실 또는 훼손 (Loss or damage of the certificate or declaration letter of declaration)
- 안전인증 또는 자율안전확인을 받은 자는 다음 사항을 준수하여야 합니다. (Recipients of safety certificate(KC-mark) or self-regulatory safety confirmation shall follow the followings.)
 - 안전인증표시 등 인증요건의 유지 관리 (Maintenance and other certification requirements)※ 안전인증을 받기 이전 또는 정지, 취소된 이후에도 안전인증을 받기 전까지 처벌을 받게 됨 (It will be punished by law before the issue(or after suspension or cancellation) of safety certification.)
 - 자체검사 실시 및 그 기록관리 (Self Product Inspection and Record Management)※ 안전인증을 받은 자는 제품검사를 철저히 실시하여야 하며, 기록을 보존하여야 함 (Recipients (license holder) of safety certification shall conduct products inspection strictly for compliance with the standard.)
- 안전인증 또는 자율안전확인을 받은 자는 전기용품안전 관리법 제4조 1항에 따라 정기검사를 받아야 합니다. (Recipients (license holder) of safety certification shall receive routine(regular) factory inspection according to the Electrical Appliances Safety Control Act article 4, paragraph 1 of the same Act.) (연락처: 품질인증센터, Tel 8601-366, 362, 368) (Contact point: Quality certification center Tel: +82-11-8601-366, 362, 368)



Korea Testing Laboratory

첨부 1 : 안전관리부품
List of Critical

부품 및 재질목록
Components

부품명 (회로기호) Component(Part no.)	제조사(상표명) Manufacturer(Brand)	
		No

유의사항 (Attention)

1. 안전관리부품은 전기 :
관리 하는 사항입니다.
안전인증기관에 인격적인 안전에 직접적인 영향
As the "Critical components" are parts in directly r
during a factory inspection, the certification bo
above, the certification bo
revision shall be applied.
2. 인증변경신청 없이
취소사유가 됨을 유
The Safety Certification
Paragraph 1 of Article
ion will be cancelled under th
8 if the contents of the Certi

FP511-10-00



Korea Testing Laboratory

첨부 2 : 기본모델
General descr

파생모델명
Derivative model

SMT T4A 250V

1. Test Report R

2. Product Descr

- Miniature fus
- Standard sh
- Time-lag ty
- Low-breakir
- T 3.15 A 250

- 본 제품의 시험내용에
시험 담당자 / 연락처
 - If you have any questi
Job holder: Digital Indu.
- FP511-09-00

첨부 3 : 전기용품안전
Status of Cer

1st Rev.) EK Certi

FP511-11-00